



## FlexLink Spiral elevator

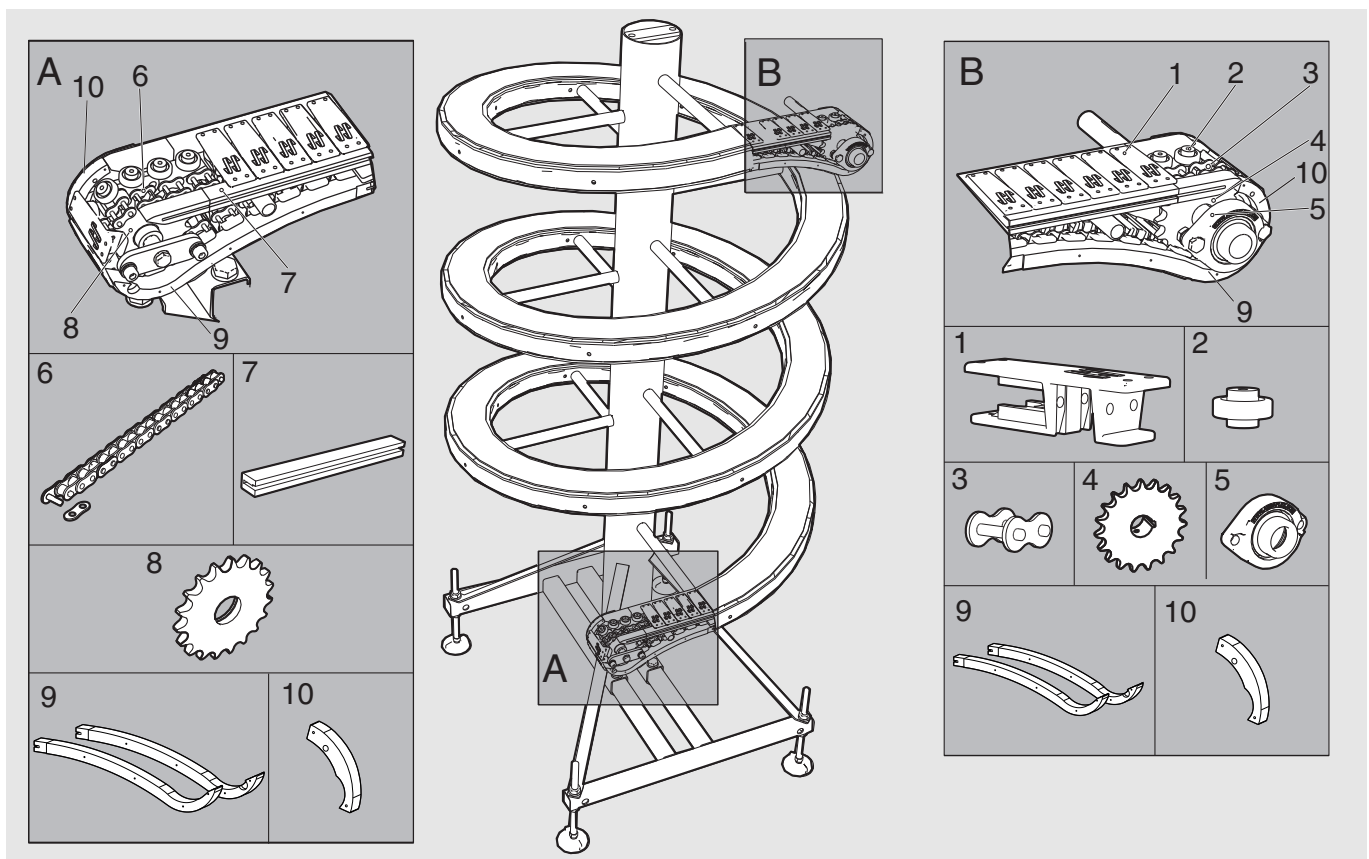
### Contents

Spiral elevator 5995512 ..... 1

### Revision list

Doc ID	Date	Type of revision	Entered by
5474EN-1	2009-03-24	Initial version	JE
5474EN-2	2010-06-16	Item 7	JE
5474EN-3	2013-06-17	Item 9,10	JE
5474EN-4	2014-05-15	(Item 11)	JE

### Spiral elevator 5995512



Item	Description	Part No	Qty	Comments	Recommended Spare parts
1	Chain link	5112485	1	TPS1-MF-R PP	X
2	Bearing	5112486	1	Kit of 20 pcs	X
3	Connection link	5112487	1	3/4" steel, Kit of 5 pcs	X
4	Sprocket wheel	5112488	1	3/4" 19T for shaft 30mm	X
5	Bearing	5112489	1		X
6	Chain	5112491	1	3/4" Side flexing L=5m	X
7	Slide rail	5112492	1	Kit contains 20 meter slide rail 24x18 single ditch SV with pins and 3 mm drill bit	X
8	Sprocket wheel	5112493	1	3/4" 19T for shaft 20 mm	X
9	Guides	5116179	1	Kit containing guides left/right, pins, drill bit and assembly instruction	X
10	Guide	5117173	2	Single guide, order 2 pcs for each end	X
	Chain	5116666	1	Complete assembled chain L=3 m (Item 1, 2, 3, 6)	X

