

# Support components Series X

## Introduction



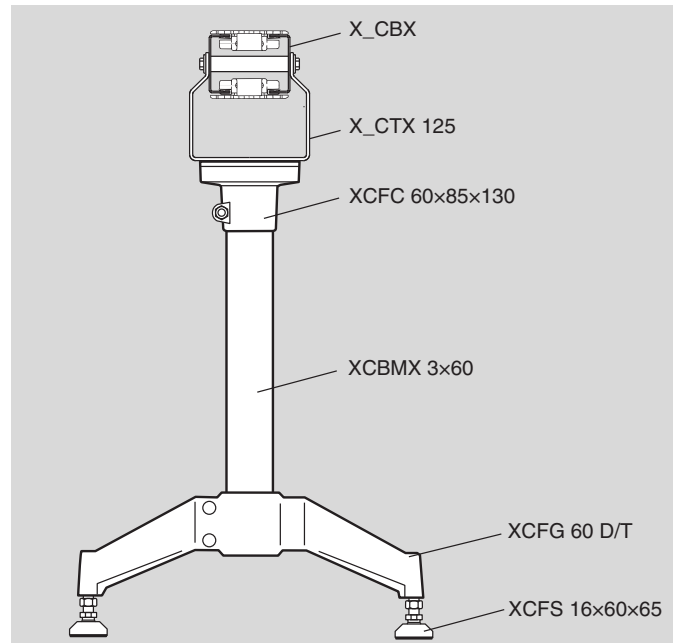
### Introduction

The support used for the conveyor consists of a stainless steel tube, which is connected to the conveyor beam by means of a connector plate and beam support bracket.

A two- or three-point foot of glass-fibre reinforced polyamide complete with connecting elements is available for use with conveyor supports of all system widths. The foot has threaded bushings and spacers in nickel-plated brass.

The maximum adjusting height of the adjustable feet is 30 mm. Anti-slip pads can be fitted to the adjustable feet. Apart from increasing the friction if the feet are not bolted to the floor, these also reduce vibration.

Other support variants are available on request.



### Ordering information

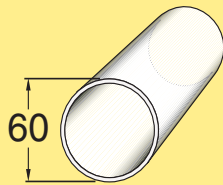
Profiles are available in standard lengths of 3 m or other lengths cut to order.

Screws, nuts and brackets must be ordered separately for the following components:

Designation	Attachment to	Mounting hardware required	Qty
Beam X_CBX	X_CTX 125	M6S 8x20 A4 XLANX 8 BRB 8,4x16 A4	4 4 4+4
X_CTX 125	XCFC 60x85x130	ISO 4014 M8x40 A4 BRB 8,4x16 A4 ISO 4032 M8 A4	4 4 4
XCFC 60x85x130	XCBM 3x60	Fasteners are included	
XCBM 3x60	XCFG 60D/T	Fasteners are included	
XCFG 60D/T	XCFS 16x60x65	Fasteners are included	

# Support legs

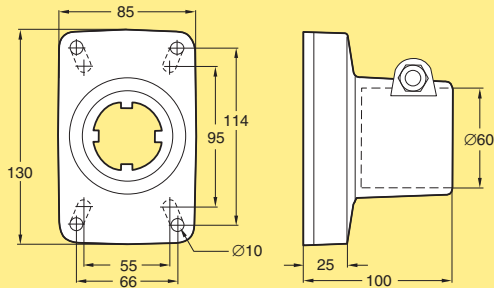
## Support profile



Support profile  
Stainless steel  
Length 3 m ± 0,2 m  
Length to order

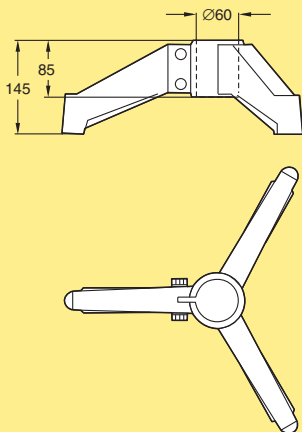
**XCBMX 3x60**  
**XCBMX Lx60**

## Connector plate



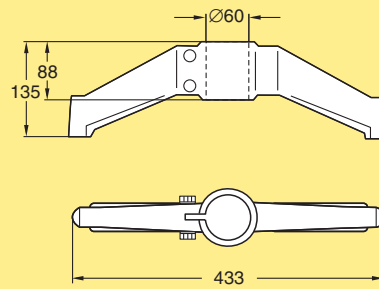
Connector plate  
Reinforced polyamide  
**XCFC 60x85x130**  
*Screws and nuts must be ordered separately*

## Polyamide foot, 3-point



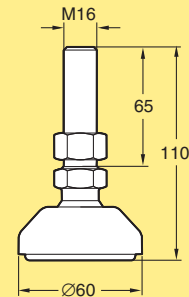
Three-point foot  
Reinforced polyamide  
Threaded bushings and spacers in  
nickel plated brass  
**XCFG 60 T**

## Polyamide foot, 2-point



Two-point foot  
Reinforced polyamide  
Threaded bushings and spacers in  
nickel plated brass  
**XCFG 60 D**

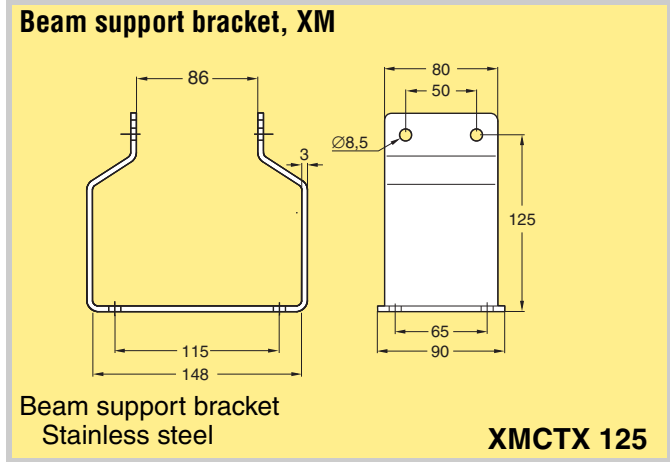
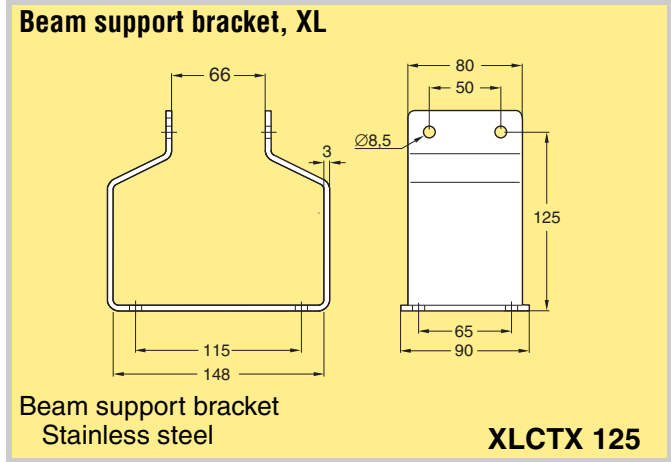
## Polyamide foot, adjustable



Adjustable foot  
Stainless steel  
M16 thread  
**XCFS 16x60x65**  
*Including nut*  
*Maximum vertical load 12000 N*

Other variants of feet are available on request.

# Beam support brackets



- PO
- XS
- XL
- XLP
- X85
- X85P
- XH
- XK
- XKP
- XB
- GR
- CS
- XT
- XC
- XF
- FST
- XMY
- XLX
- XXM
- GRX
- CSX**
- ELV
- CTL
- TR
- APX
- IDX

