

Guide rail components Series X

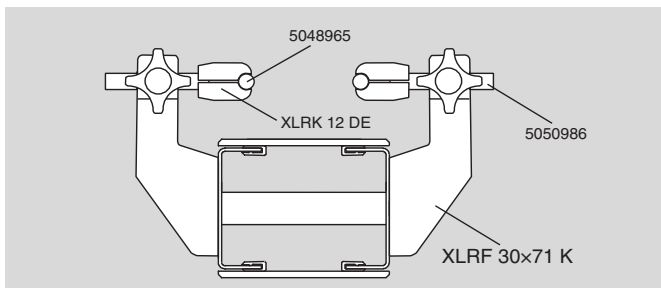
Introduction



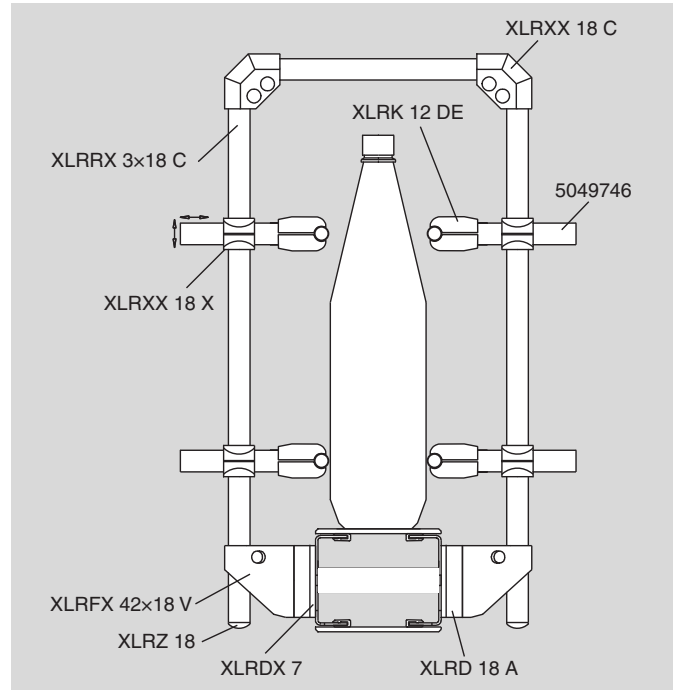
Components from the standard assortment

The adjustable guide rail brackets include components for construction of a wide variety of guide rail configurations. The illustrations show three possible configurations containing a number of standard FlexLink guide rail components. See catalogue section *Guide rail components* for further information about these, including calculation of track width.

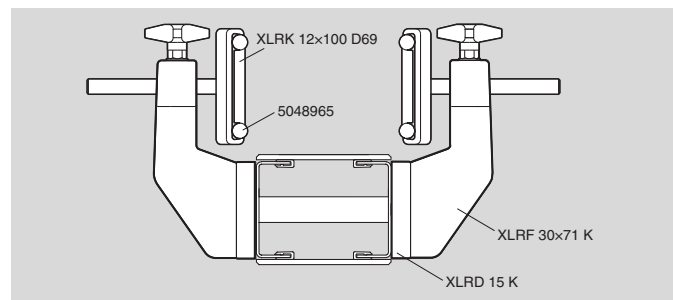
Guide rail configuration A



Guide rail configuration B



Guide rail configuration C



Materials

Except where otherwise noted, the guide rail bracket components are made of glass-fibre reinforced polyamide.

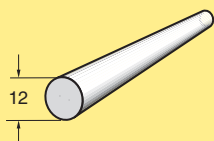
Ordering information

If guide rail bracket support XLRFX 42x18 V or distance piece XLRD 6 A/18 A is used, one guide rail bracket connector XLRDX 7 is required per support for connection to the conveyor beam.

PO
XS
XL
XLP
X85
X85P
XH
XK
XKP
XB
GR
CS
XT
XC
XF
FST
XMY
XLX
XMX
GRX
CSX
ELV
CTL
TR
APX
IDX

Guide rail

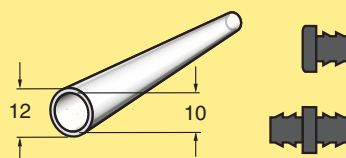
Steel rod 12 mm



Stainless steel rod 12 mm
Length 3 m

5048965

Steel tube 12 mm (guide rail)



Straight steel tube 12 mm
Stainless steel
Length 3 m

5054952

End plug
Connecting plugs (10 pcs)

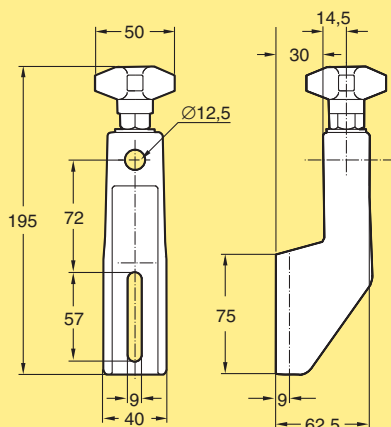
XLRZ 12*

5056685

**Note. Must be ordered in multiples of 50*

Guide rail brackets (see also catalogue section GR)

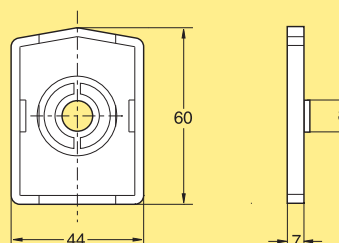
Guide rail bracket support Type K



Adjustable guide rail bracket kit **XLRF 30x71 K**

Mounting: M6S 8x20 A4 (1), XLANX 8 (1),
BRB 8,4x24 A4 (1).

Guide rail bracket connector

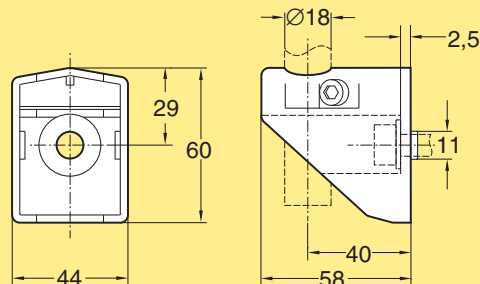


Guide rail bracket connector **XLRDX 7**

For use with guide rail bracket support XLRF 42x18 V
and distance piece XLRD 6 A/18 A

Note. Must be ordered in multiples of 10

Guide rail bracket support Type V

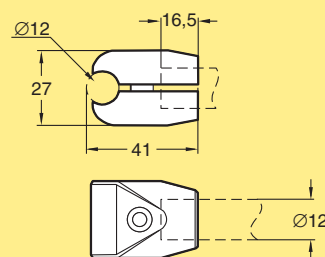


Guide rail bracket support **XLRFX 42x18 V**

For use with guide rail clamp XLRLX 18x... CA or guide
rail support tube XLRRX 3x18 C.

Including screw and nut in stainless steel
Mounting: M6S 8x25 A4 (1), XLANX 8 (1),
BRB 8,4x16 A4 (1).

Guide rail clamp

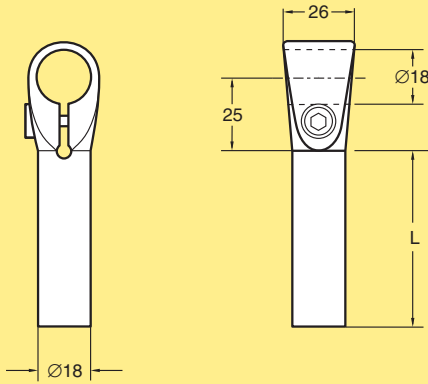


Guide rail clamp

XLRK 12 DE

Including stainless steel screw and nut. For use with
12 mm guide rail clamp rod 5051168 or 5050986. Suit-
able guide rail type: 12 mm steel rod type 5048965.

Guide rail clamp support Type CA



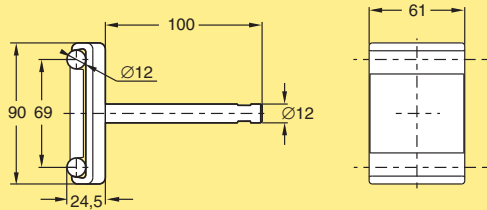
Guide rail clamp support

L=60 mm
L=110 mm
L=160 mm

XLRLX 18x60 CA
XLRLX 18x110 CA
XLRLX 18x160 CA

Including stainless screw and nut. For use with XLRKX 42x18 V and XLRK 18x50 D69

Guide rail clamp, double

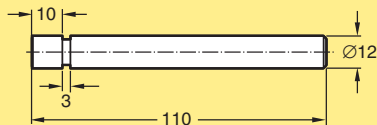


Guide rail clamp, double

XLRK 12x100 D69

Including stainless steel rod, screw and nut. Suitable guide rail type: 12 mm steel rod type 5048965. For use with bracket support XLRF 30x71 K

Guide rail clamp rod 12 mm

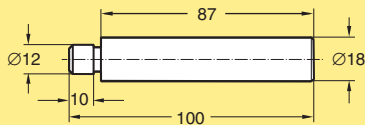


Guide rail clamp rod
Stainless steel

5050986

Use with XLRK 12 DE and XLRF 30x71 K

Guide rail clamp rod, 18 mm

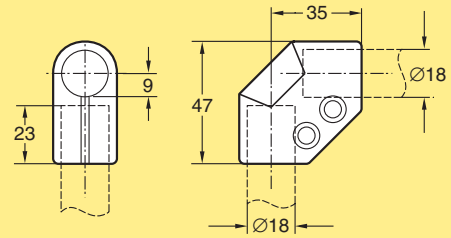


Guide rail clamp rod
Stainless steel

5049746

Use with XLRX 18 X, XLRXX 3x18 C, XLRK 12 DE and XLRF 42x18 VVD

Corner connector

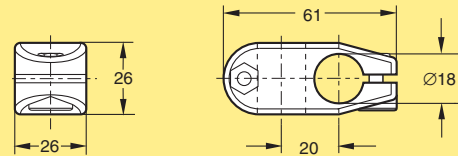


Corner connector

XLRXX 18 C

Including stainless screws and nuts.

Cross connector

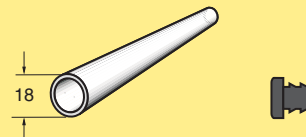


Cross connector

XLRXX 18 X

Including stainless screws and nuts.

Guide rail support tube



Guide rail support tube

Stainless steel
Length 3 m

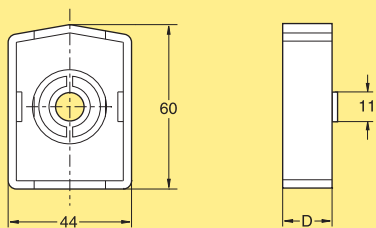
XLRRX 3x18 C

End cap

XLRZ 18*

**Note. Must be ordered in multiples of 10*

Spacers for guide rail bracket support Type A



Distance piece Type A

D=6 mm

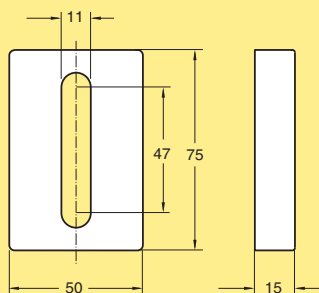
D=18 mm

XLRD 6 A
XLRD 18 A

Use with guide rail bracket support *XLRFX 42x18 V.*

Note. Must be ordered in multiples of 10

Spacer for guide rail bracket support Type K



Distance piece Type K

XLRD 15 K

Use with guide rail bracket support *XLRF 30x71 K*

Note. Must be ordered in multiples of 10