



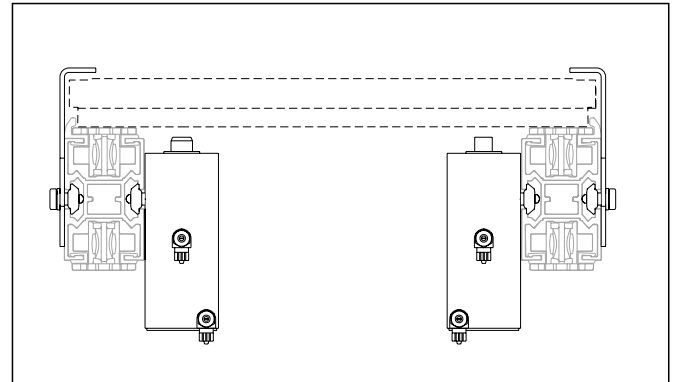
Pallet locating station – XT

Contents

Pallet locating station

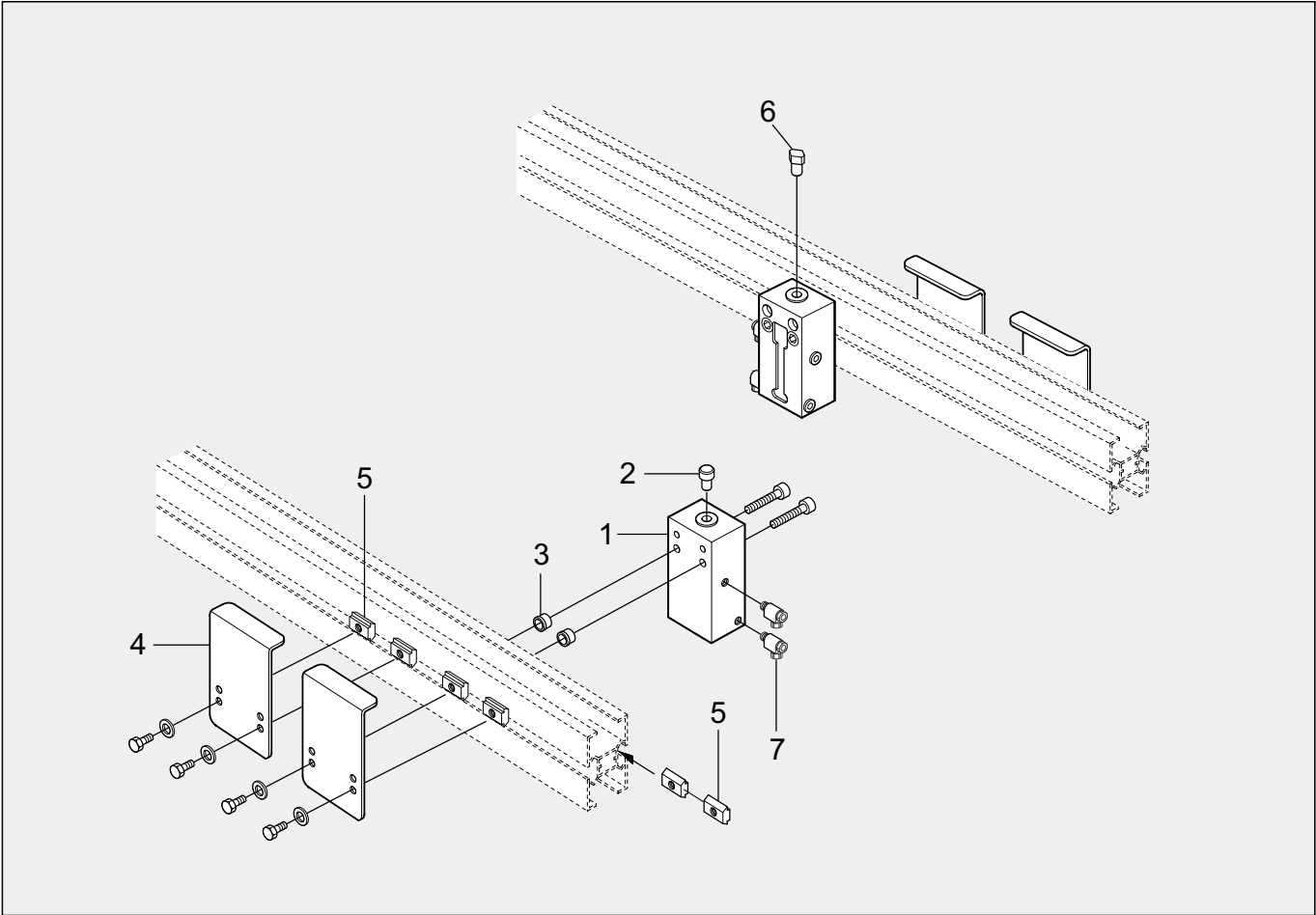
XTPX P11 A _____ 2

Revision list _____ 3



Pallet locating station

XTPX P11 A



Item	Description	Part No	Qty	Comments
1	Index cylinder	5049629	2	
2	Guide pin, cylinder	5049706	1	✓
3	Bushing	5048657	4	
4	Guide bracket	5053666	4	
5	Slot nut	XCAN 6	12	XT light: XFAN 6
6	Guide pin, square	5049704	1	✓
7	Check valve	5050245	2	Festo GRLA-1/8-PK-4-B

✓ Spare parts kit 5053331 1 Includes item 2 (1 pcs) and
 item 6 (1 pcs).....

