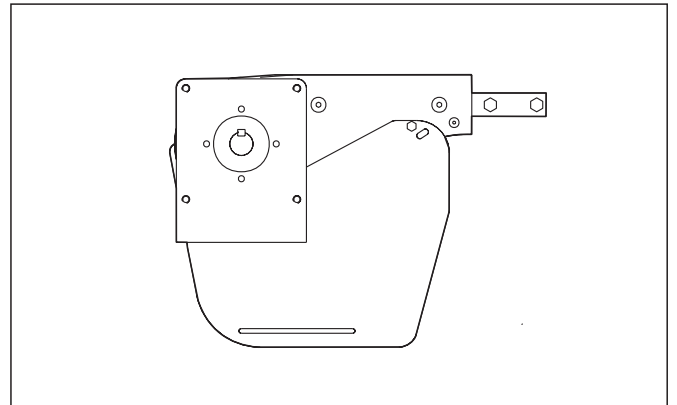




## End drive unit for stainless steel conveyor – XH

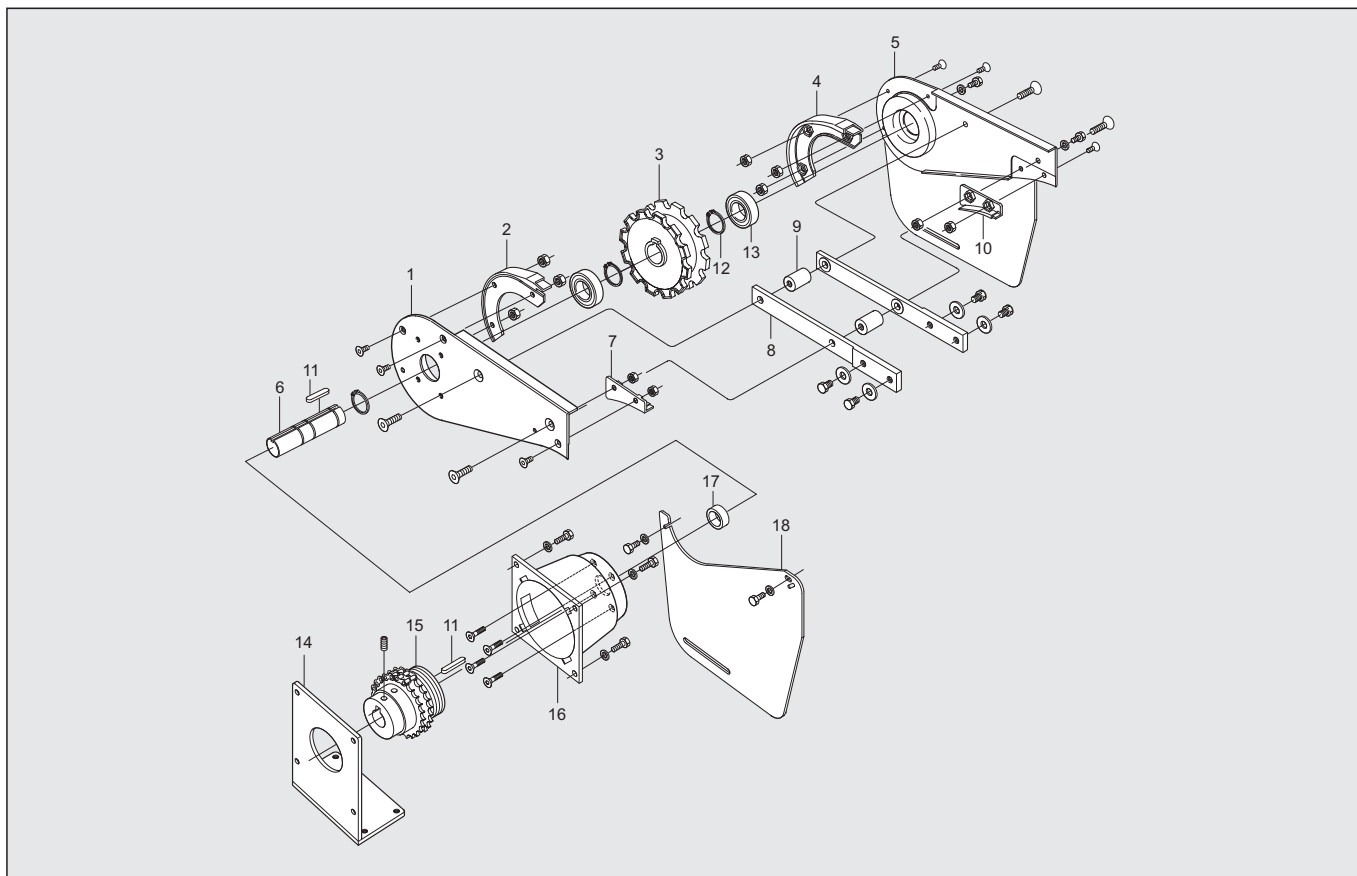
### Contents

<i>End drive unit for stainless steel conveyor</i> _____	2
<i>0-unit – XHEBX 0 HLP/HRP</i> _____	2
<i>Revision list</i> _____	3



# End drive unit for stainless steel conveyor

## 0-unit – XHEBX 0 HLP/HRP



Item	Description	Part No	Qty	Comments
1	.....Side plate L (XHEBX HLP)	5048967	1	
	.....Side plate L (XHEBX HRP)	5048969	1	
2	.....Steering guide L	3924700	1	☆
3	.....Drive wheel	3924698	1	☆
4	.....Steering guide R	3924699	1	☆
5	.....Side plate R (XHEBX HLP)	5048968	1	
	.....Side plate R (XHEBX HRP)	5048970	1	
6	.....Shaft	3920062	1	
7	.....Guide L	3924701	1	☆
8	.....Connecting strip	5048537	2	
9	.....Spacer	5049457	2	
10	.....Guide R	3924702	1	☆
11	.....Wedge	8x7-63 PK A4	2	
12	.....Retaining ring	SgA 25 A2	3	
13	.....Bearing	6205-2RS1/C3-A4	2	
14	.....Adapter plate	5049482	1	
15	.....Slip clutch	5054004	1	
16	.....Flange	5048551	1	
17	.....Spacer	5048663	1	
18	.....Slack protection	5049346	2	

☆ = Recommended spare part

# Revision list

Document designation	Date	Type of revision	Entered by
XH007-E1	99-05-01	New version	Enator Inforum