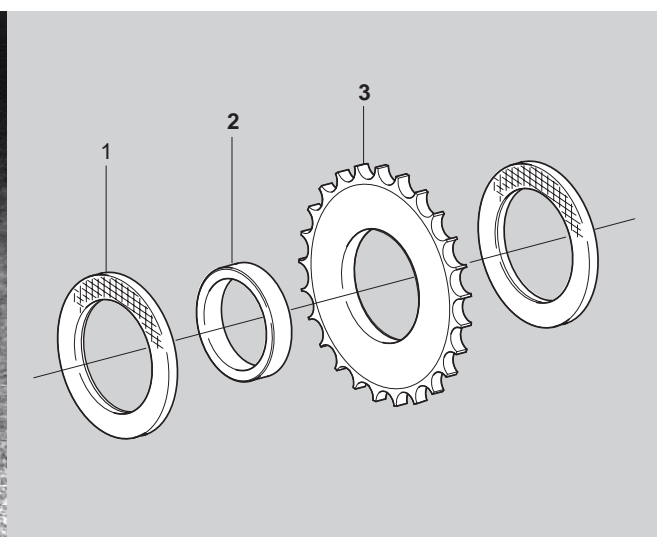




Spare parts kits for slip clutch Conveyor system XS, XL, XM, XH, XK, XW



Spare parts kits for slip clutches now available

Spare parts kits are available for the slip clutches used with drive units. Each kit includes one chain wheel (3), one timble (2), and two lamellas (1).

Z (see below) is the number of teeth on the chain wheel.

Spare parts kits for slip clutches

3926077	Spare parts kit 3/8" Ø 20 mm for slip clutch 3902926 (Z=29)
3925300	Spare parts kit 3/8" Ø 17 mm for slip clutch 3902925 (Z=23)
3925299	Spare parts kit 3/8" Ø 25 mm for slip clutch 3902927 (Z=38)
3925289	Spare parts kit 1/2" Ø 25 mm for slip clutch 3904324 (Z=25)

The specifications, constructional data and illustrations contained in this bulletin are not binding. We reserve the right to make alterations without prior notification.

FlexLink Systems, S-415 50 GÖTEBORG, Sweden. Tel +46-31-337 31 00. Telefax +46-31-337 22 33