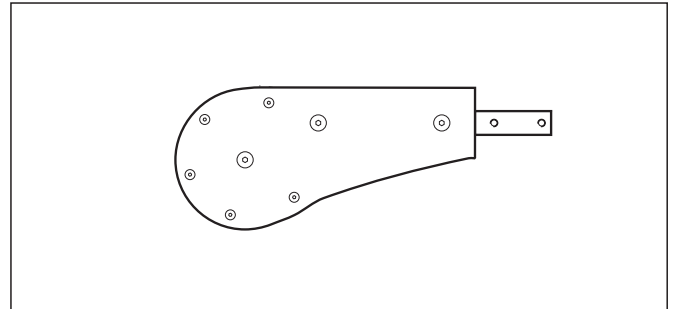




Idler end unit for stainless steel conveyor – XH

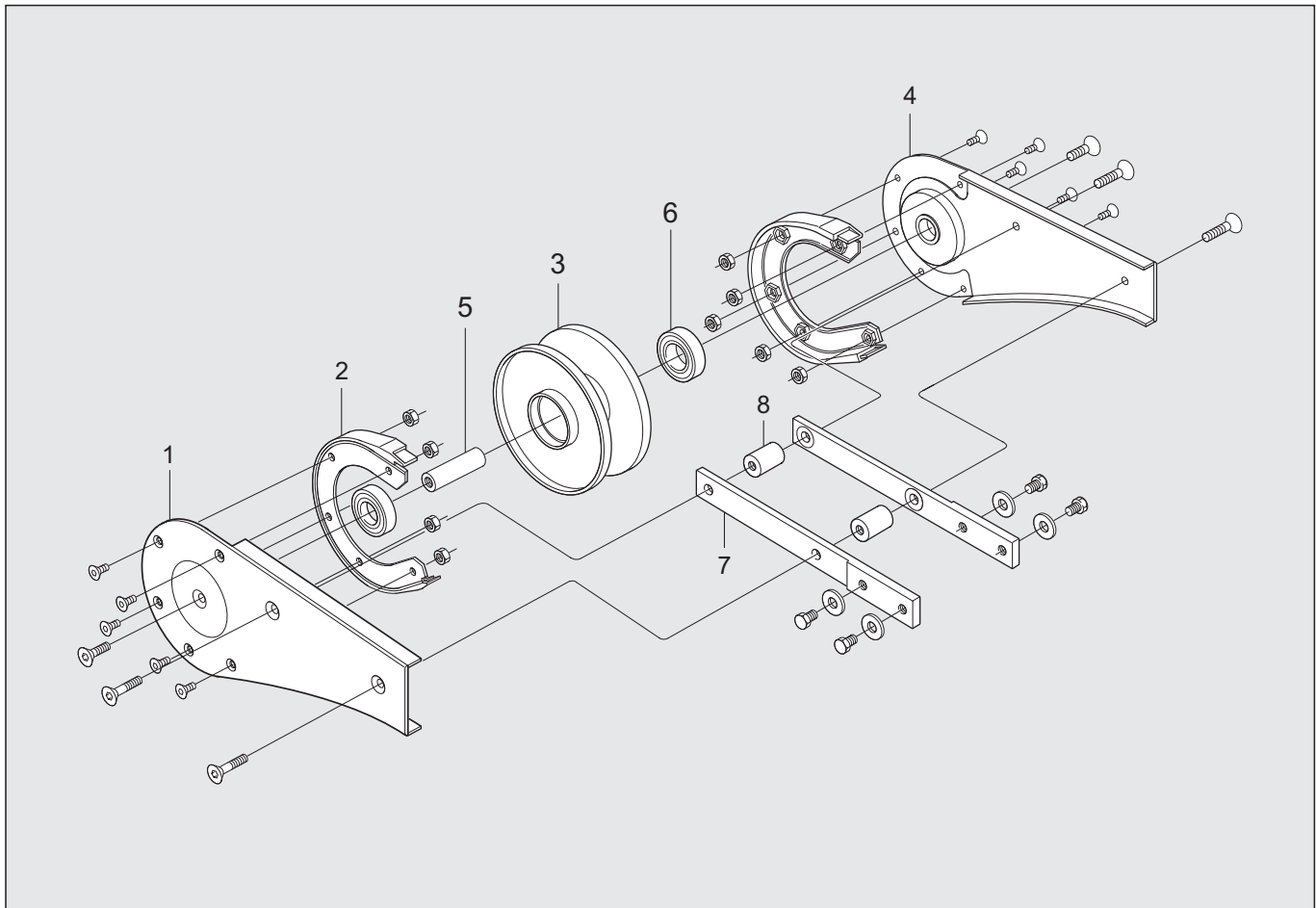
Contents

<i>Idler end unit for stainless steel conveyor</i>	
XHEJX 325 _____	2
<i>Revision list</i> _____	3



Idler end unit for stainless steel conveyor

XHEJX 325



Item	Description	Part No	Qty	Comments
1Side plate L	5048893.....	1	
2Steering guide.....	3924704.....	2	☆
3Idler wheel.....	3924703.....	1	☆
4Side plate L.....	5048894.....	1	
5Shaft.....	3920057.....	1	
6Bearing.....	6202-2Z-A4.....	2	
7Connecting strip.....	5048537.....	2	
8Spacer.....	5049457.....	2	

☆ = Recommended spare part

Revision list

Document designation	Date	Type of revision	Entered by
XH008-E1	99-05-01	New version	Enator Inforum