

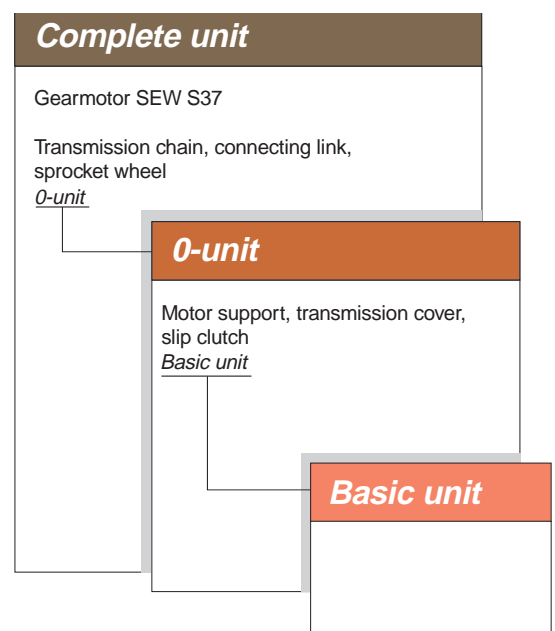
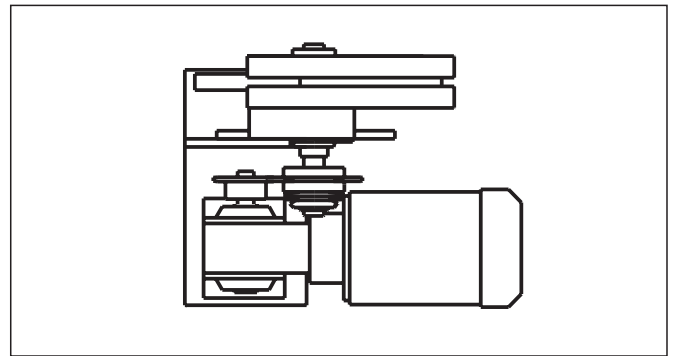


## Horizontal bend drive unit – XH

### Contents

#### *Horizontal bend drive unit*

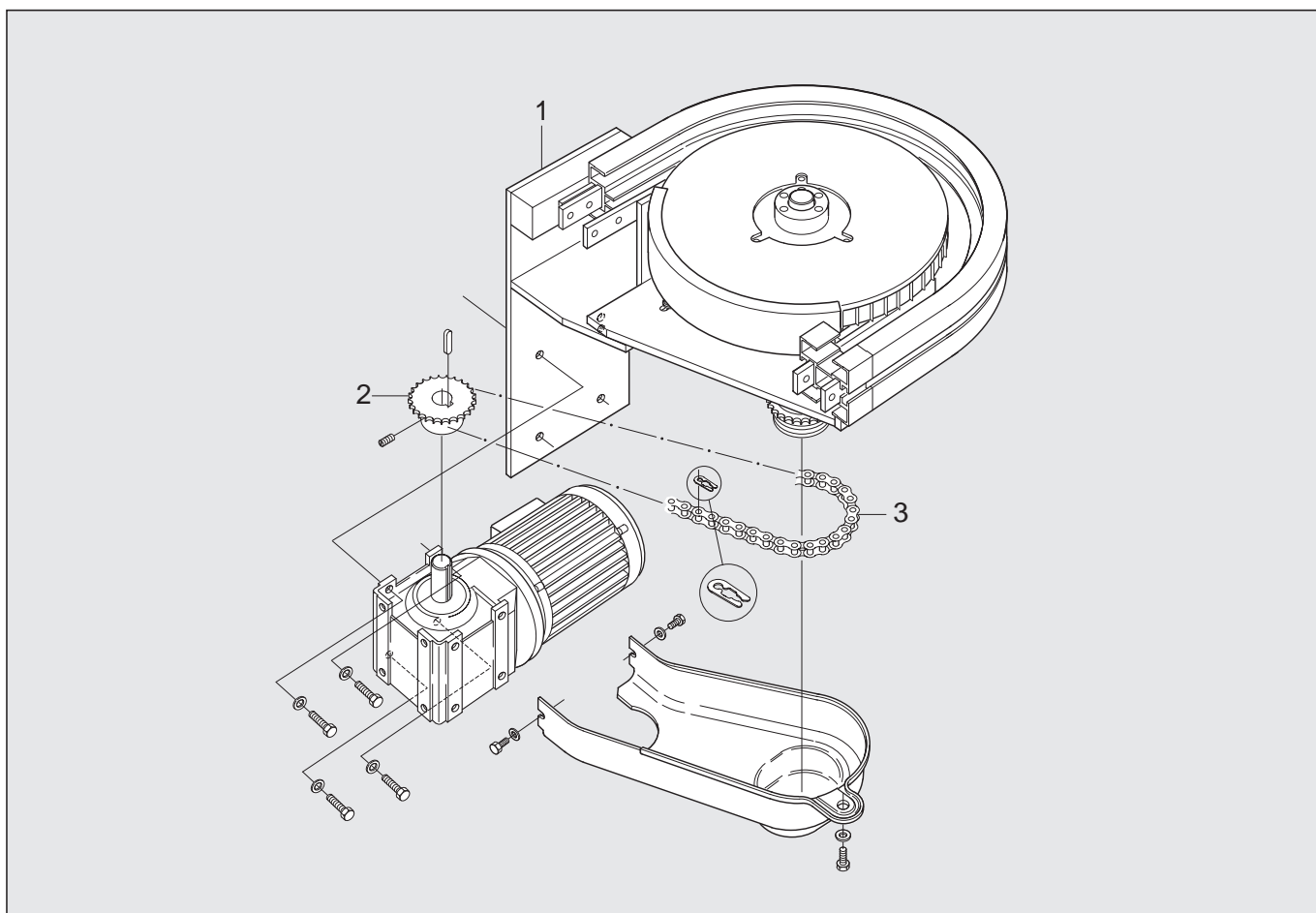
Complete unit – XHEW 180/_ H _____	2
0-unit – XHEW 180/0 H _____	3
Basic unit – XHEW 180/0 HU _____	4
<i>Revision list</i> _____	5



# Horizontal bend drive unit

Complete unit – XHEW 180/\_ H

For SEW S37 gearmotor



Item	Description	Part No	Qty	Comments
1	0-unit	XHEW 180/0 H	1	See next page for details
2	Sprocket wheel		1	See table below ☆
3	Transmission chain 1/2" including connecting link	3921638	1	ISO/R 606-08B ☆

☆ = recommended spare part

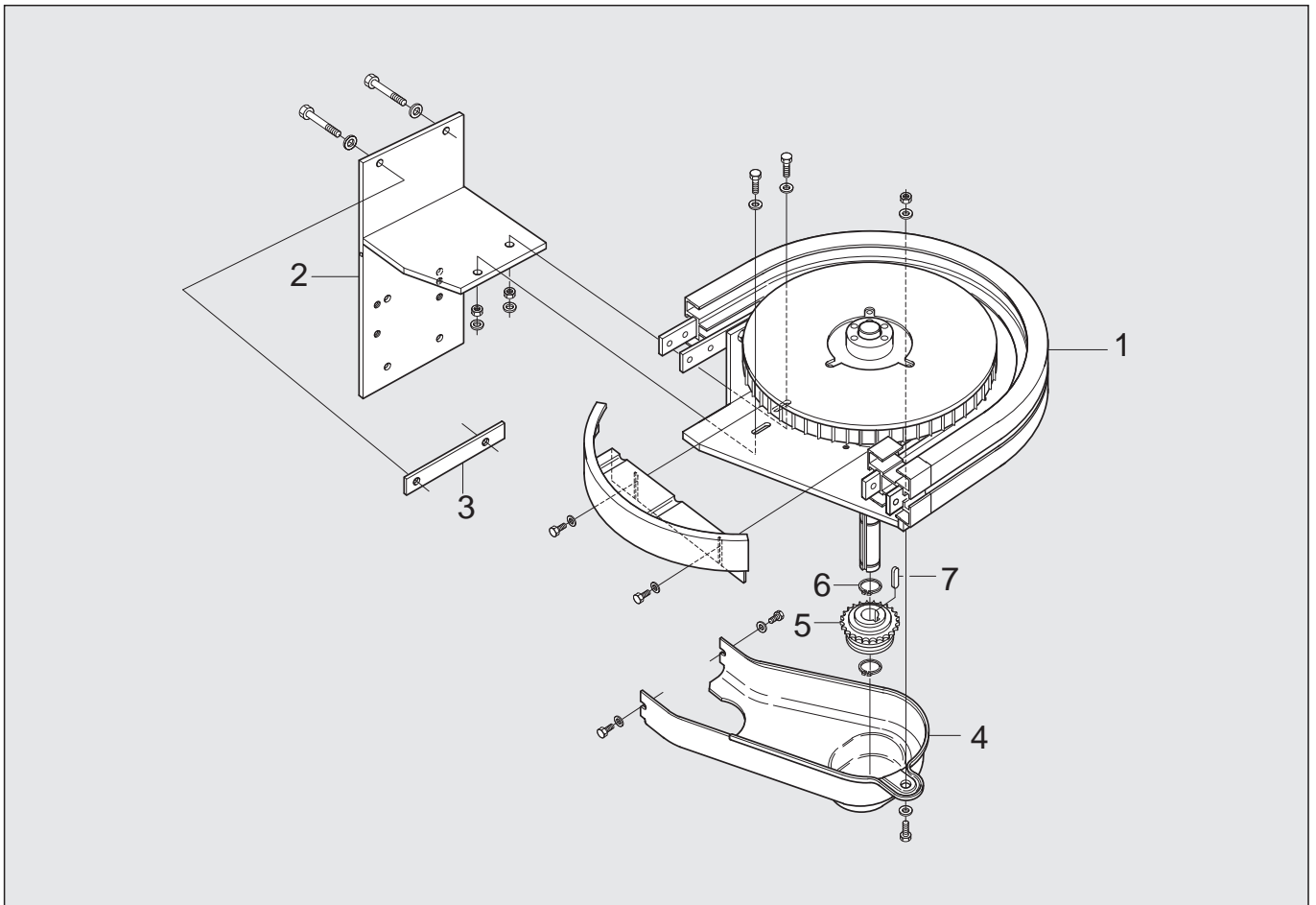
## Important

Items 2–3 must be ordered separately when ordering a 0-unit (item 1). The sprocket wheel (item 2) should be specified in accordance with the following table:

Sprocket wheel	Part No (SEW)
Z <sub>1</sub> =19	3924438
Z <sub>1</sub> =21	3924439
Z <sub>1</sub> =23	3924440
Z <sub>1</sub> =25	3921258

# Horizontal bend drive unit

## 0-unit – XHEW 180/0 H

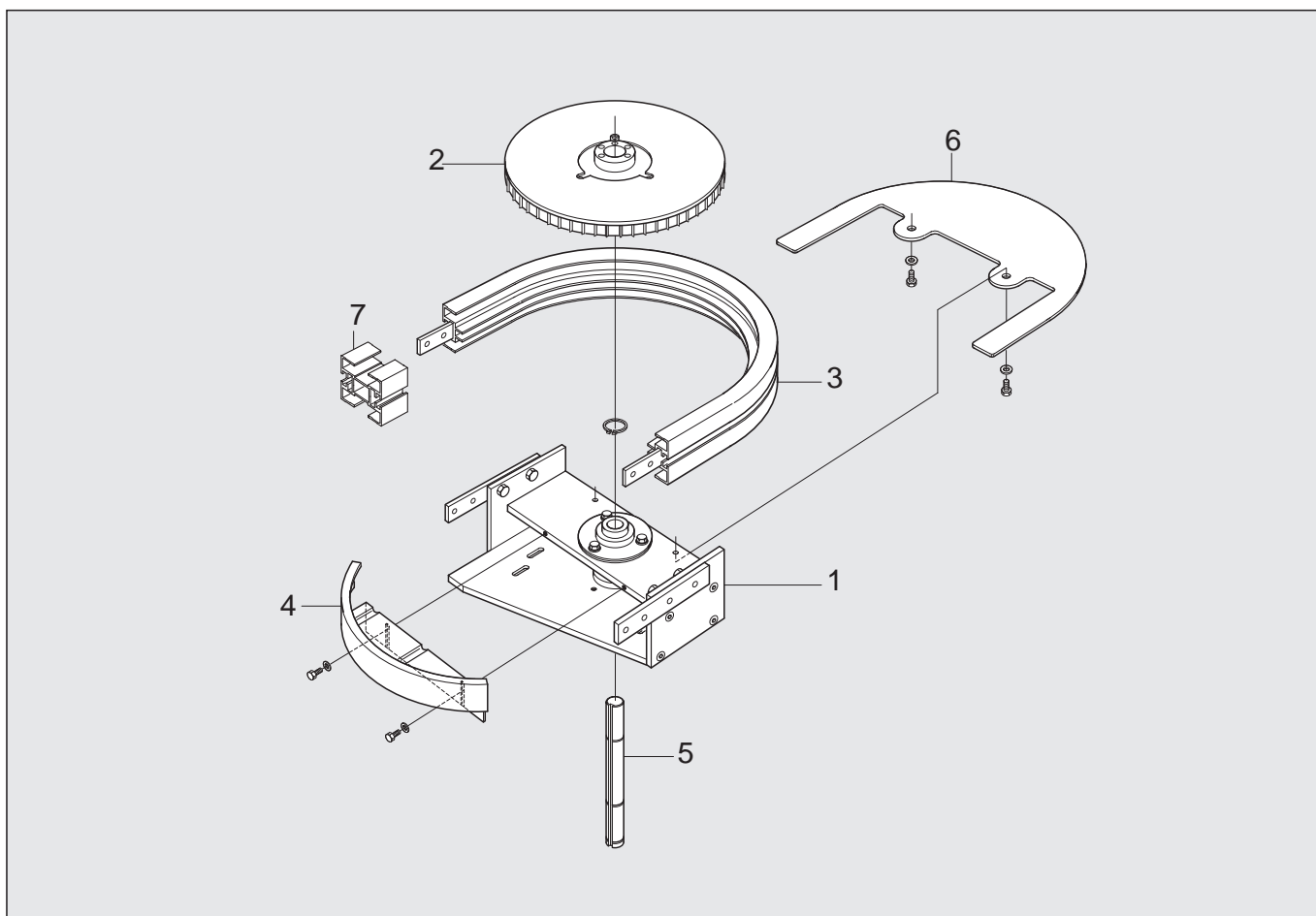


Item	Description	Part No	Qty	Comments
1	Basic unit	XHEW 180/0 HU	1	See next page for details
2	Bracket	3926586	1	
3	Nut bracket	3903339	1	
4	Transmission cover	3926754	1	☆
5	Slip clutch	5053981	1	☆
6	Retaining ring	SgA 25	2	
7	Wedge	8x7-40	1	

☆ = recommended spare part

# Horizontal bend drive unit

## Basic unit – XHEW 180/0 HU



Item	Description	Part No	Qty	Comments
1	Bracket	3926575	1	
2	Drive wheel	3903459	1	☆
3	Outer horizontal bend	XHBE 180R170	1	
4	Protective cover	3926718	1	
5	Shaft	3926450	1	
6	Cover	3926577	1	
7	Transport cover	3926716	2	

☆ = recommended spare part

