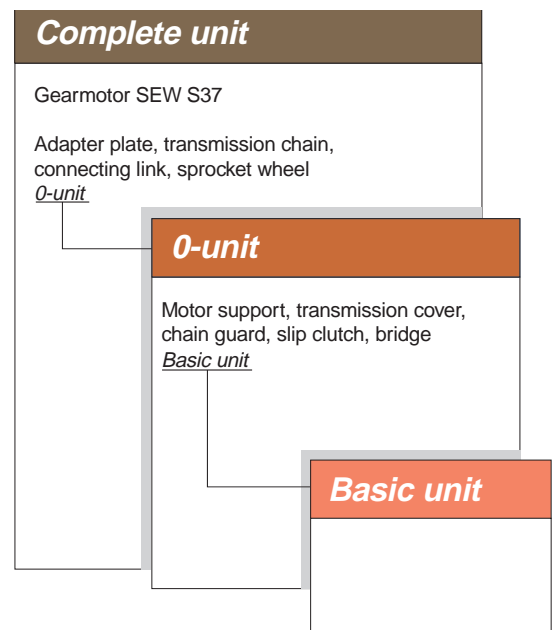
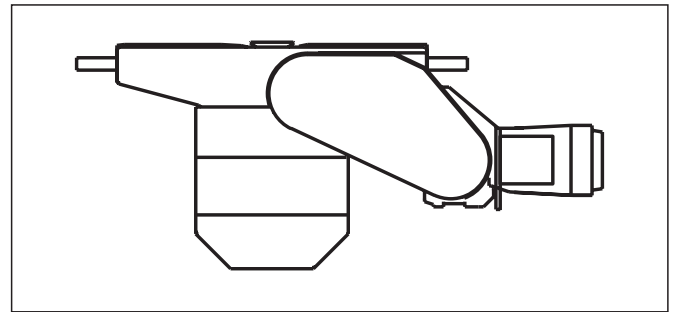


## Catenary drive unit – XH

### Contents

#### *Catenary drive unit*

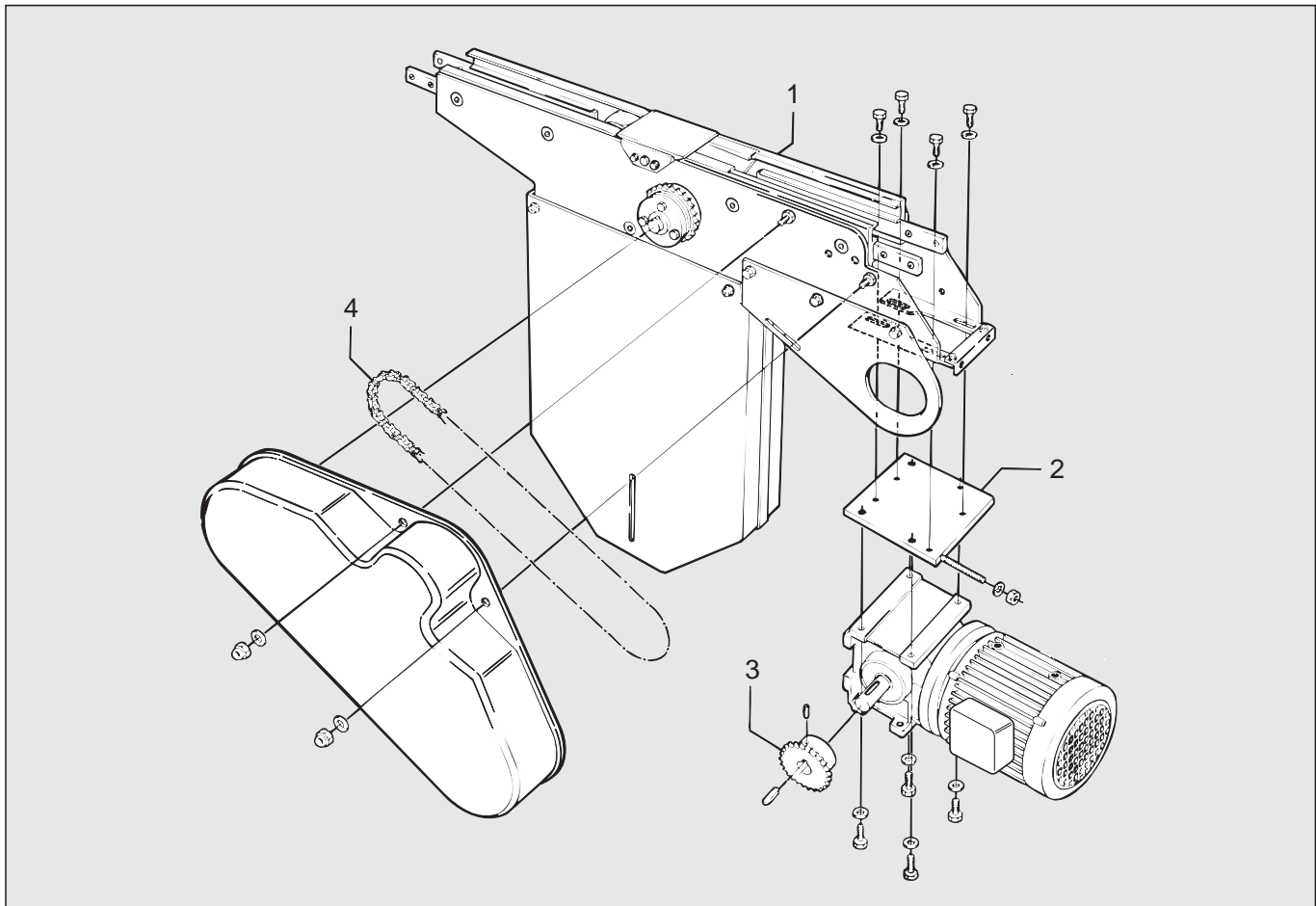
Complete unit – XHEC _ HL/HR _____	2
0-unit – XHEC 0 HL/HR _____	3
Idler unit – 3921481 _____	4
Basic unit – XHEB 0 HLU/HRU _____	5
<i>Revision list</i> _____	6



# Catenary drive unit

Complete unit – XHEC \_ HL/HR

For SEW S37 gearmotor



Item	Description	Part No	Qty	Comments
1	.....0-unit (left-hand version) .....	XHEC 0 HL.....	1	..... See next page for details.....
1	.....0-unit (right-hand version).....	XHEC 0 HR.....	1	..... See next page for details.....
2	.....Adapter plate including bolts and washers .....	3924197.....	1	..... For SEW S37 gearmotor .....
	.....Adapter plate.....	3924455.....	1	..... Blind adapter plate .....
3	.....Sprocket wheel.....		1	..... See table below..... ☆
4	.....Transmission chain 1/2" including connecting link.....	3921638.....	1	..... ISO/R 606-08B .....

☆ = recommended spare part

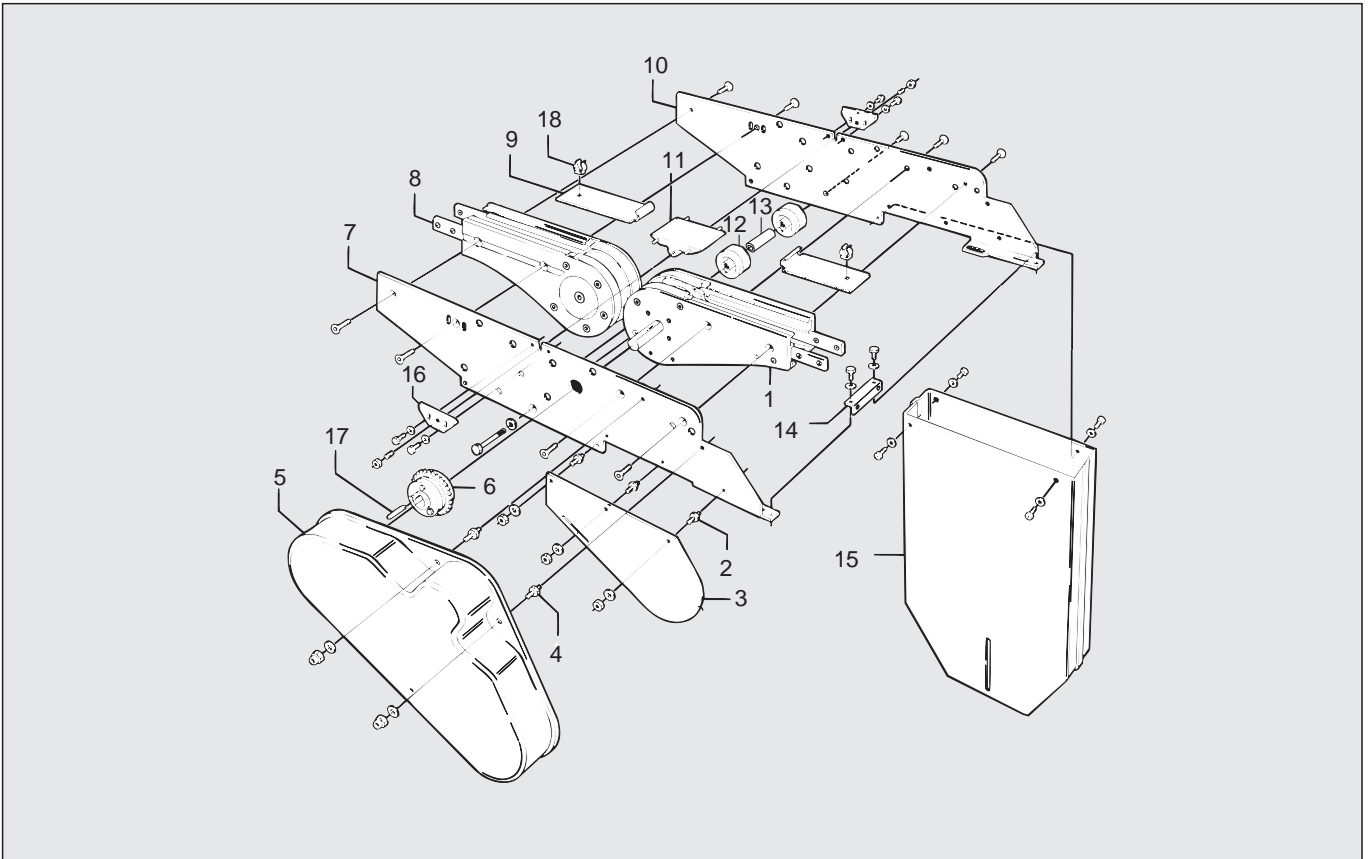
## Important

Items 2-4 must be ordered separately when ordering a 0-unit (item 1). The sprocket wheel (item 3) should be specified in accordance with the following table:

Sprocket wheel	Part No (SEW)
Z <sub>1</sub> =19	3924438
Z <sub>1</sub> =21	3924439
Z <sub>1</sub> =23	3924440
Z <sub>1</sub> =25	3921258

# Catenary drive unit

## 0-unit – XHEC 0 HL/HR

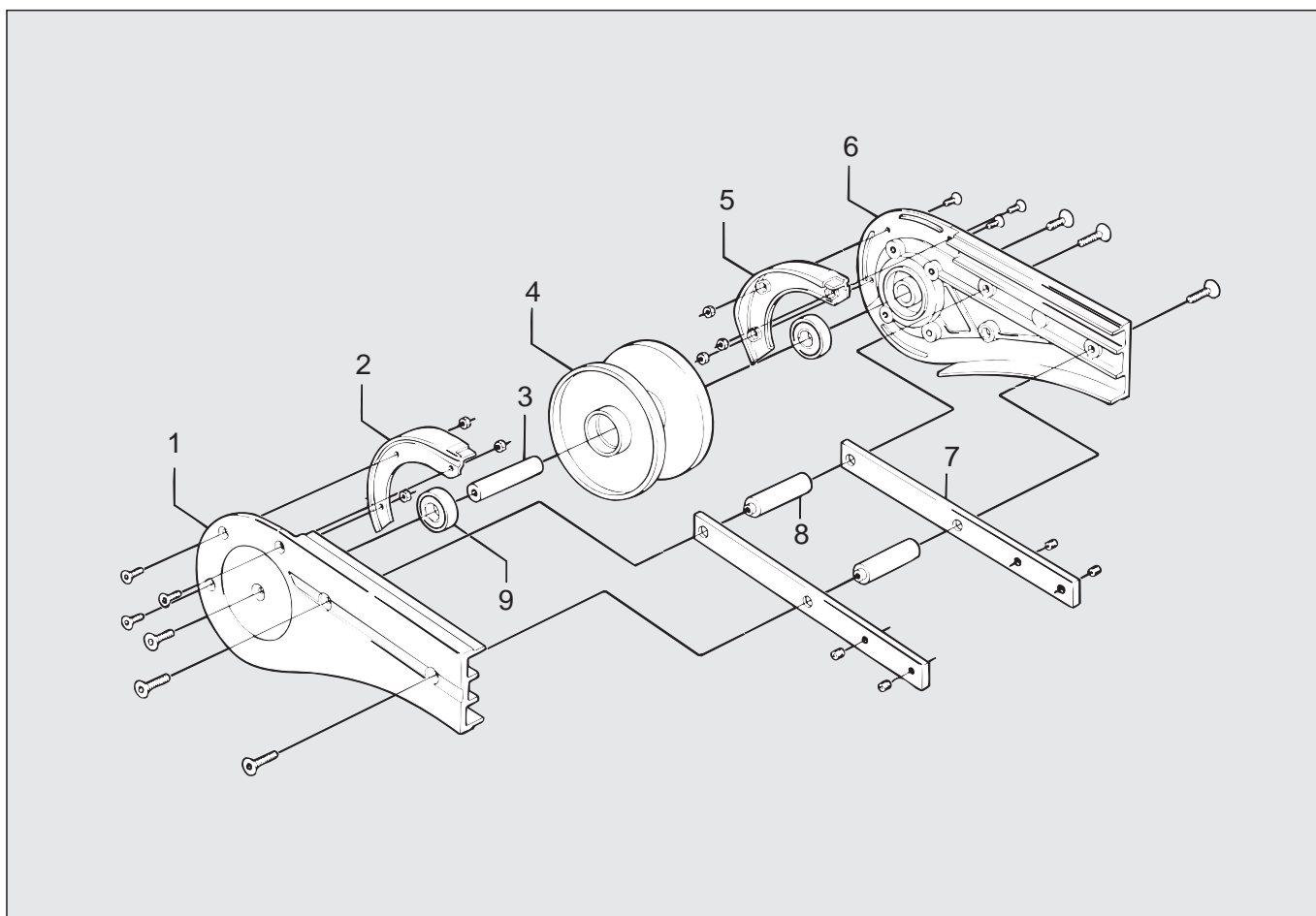


Item	Description	Part No	Qty	Comments
1	Basic unit (left-hand version)	XHEB 0 HLU	1	See page 5 for details
	Basic unit (right-hand version)	XHEB 0 HRU	1	See page 5 for details
2	Screw	3904862	3	
3	Chain guard	3904847	1	
4	Screw	3904855	2	
5	Transmission cover	3904431	1	☆
6	Slip clutch Ø25 mm	5053981	1	☆
7	Motor bracket L	3921463	1	
8	Idler unit	3921481	1	See next page 4 for details
9	Cover plate	3924662	2	
10	Motor bracket R	3921464	1	
11	Bridge	3905610	1	☆
12	Support roller	3920087	2	
13	Distance pipe	3920010	1	
14	Adjusting block	3924287	1	
15	Cover	3902795	1	
16	Adjustment plate	3905278	2	
17	Wedge	8x7-25	1	ISO/R 773
18	Tube clamp	14062	2	Handimex

☆ = recommended spare part

# Catenary drive unit

## Idler unit – 3921481

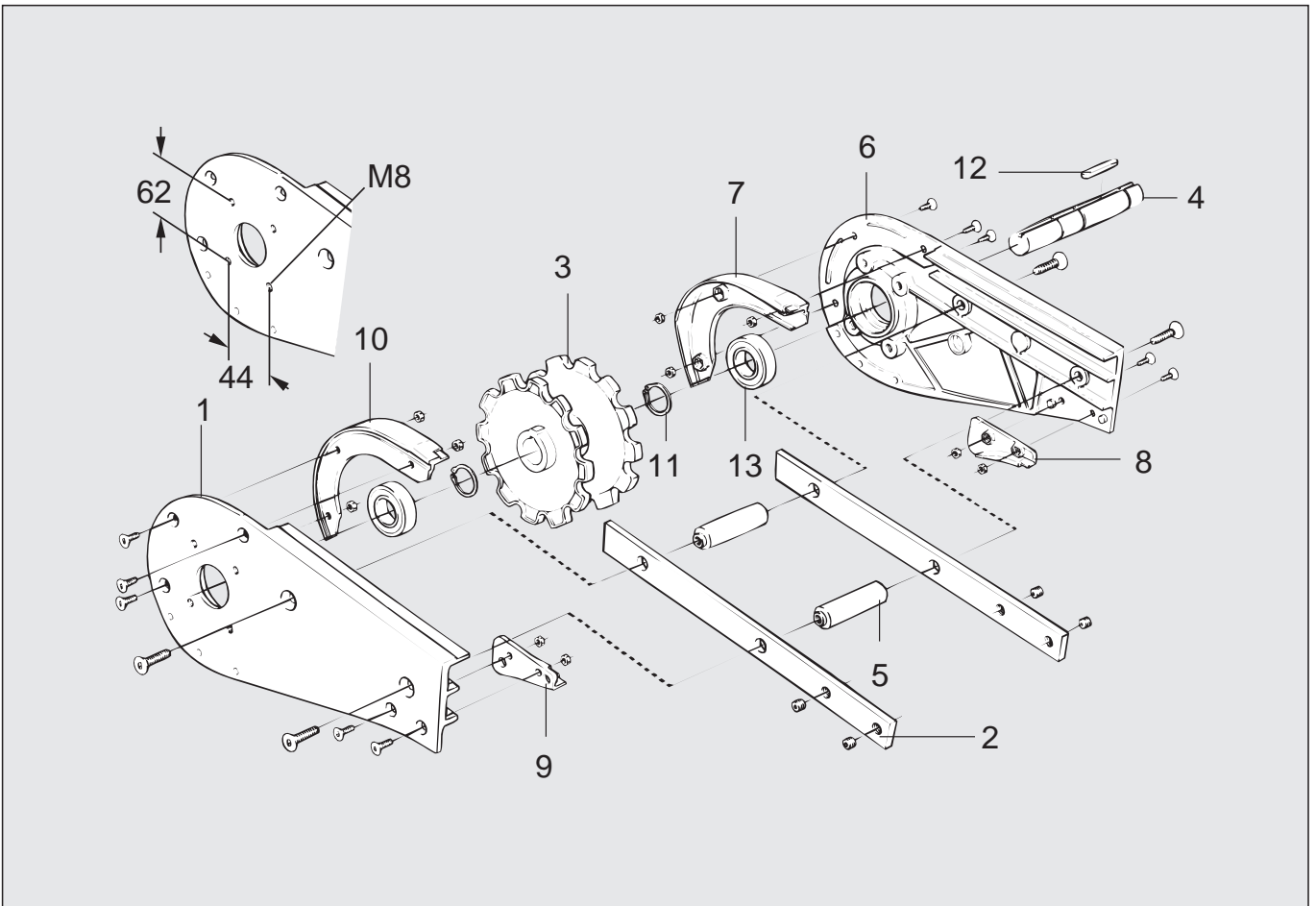


Item	Description	Part No	Qty	Comments
1	.....Side plate R .....	3921162.....	1	
2	.....Steering guide R .....	3921482.....	1	☆
3	.....Shaft.....	3921287.....	1	
4	.....Wheel.....	3921163.....	1	☆
5	.....Steering guide L.....	3921483.....	1	☆
6	.....Side plate L .....	3921161.....	1	
7	.....Connecting strip .....	3921123.....	2	
8	.....Spacer.....	3904140.....	2	
9	.....Bearing .....	6202-2Z.....	2	

☆ = recommended spare part

# Catenary drive unit

## Basic unit – XHEB 0 HLU/HRU



Item	Description	Part No	Qty	Comments
1	Side plate L	3904746	1	
2	Connecting strip	3921123	2	
3	Drive wheel	3904299	1	☆
4	Drive shaft	3904403	1	
5	Spacer	3904140	2	
6	Side plate R	3904234	1	
7	Steering guide R	3904312	1	☆
8	Guide R	3904313	1	☆
9	Guide L	3904744	1	☆
10	Steering guide L	3904745	1	☆
11	Retaining ring	SgA 25	3	ISO/R 773
12	Wedge	8x7-63	1	DIN 471
13	Bearing	6205 2RS1/C3	2	

☆ = recommended spare part

