

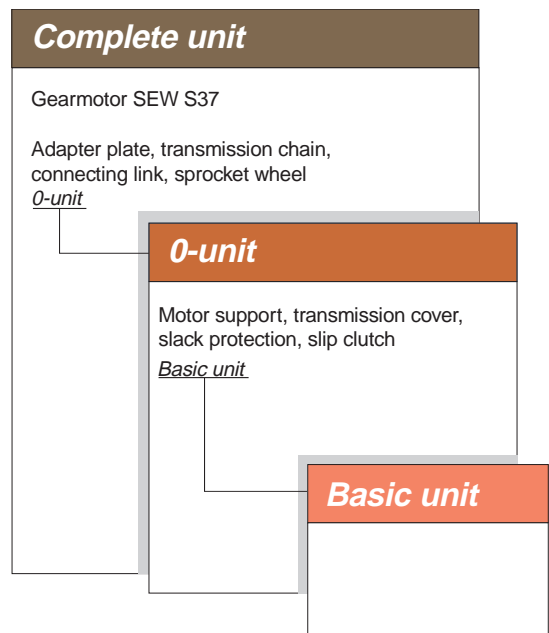
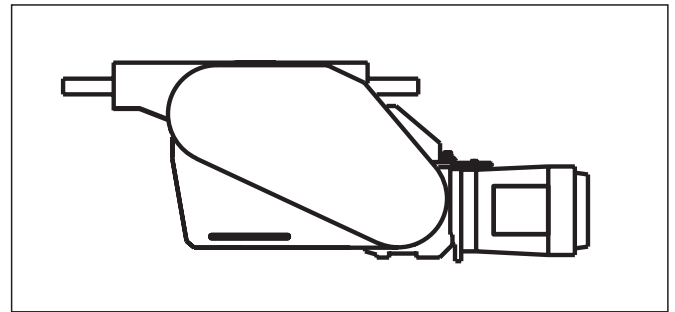


Intermediate drive unit – XH

Contents

Intermediate drive unit

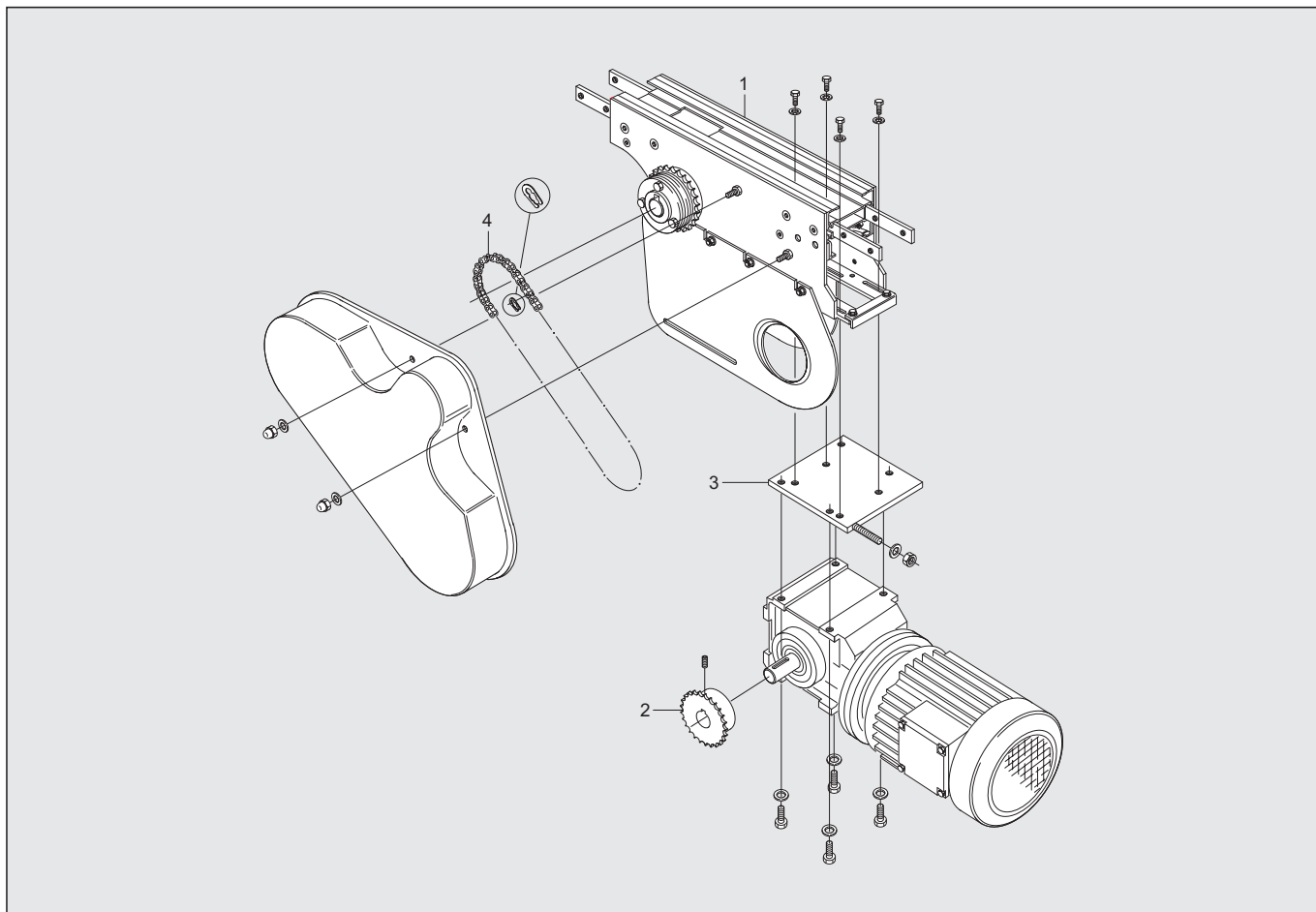
Complete unit – XHER _ HL/HR _____	2
0-unit – XHER 0 HL/HR _____	3
Basic unit – XHER 0 HLU/HRU _____	4
<i>Revision list</i> _____	5



Intermediate drive unit

Complete unit – XHER _ HL/HR

For SEW S37 gearmotor



Item	Description	Part No	Qty	Comments
10-unit (left-hand version)	XHER 0 HL.....	1 See next page for details.....
10-unit (right-hand version).....	XHER 0 HR.....	1 See next page for details.....
2Sprocket wheel 1/2" including grub screw	1 See table below..... ☆
3Adapter plate including bolts and washers	3924197.....	1 For SEW S37 gearmotor
3Adapter plate.....	3924455.....	1 Blind adapter plate
4Transmission chain 1/2" including connecting link.....	3921638.....	1 ISO/R 606-08B

☆ = recommended spare part

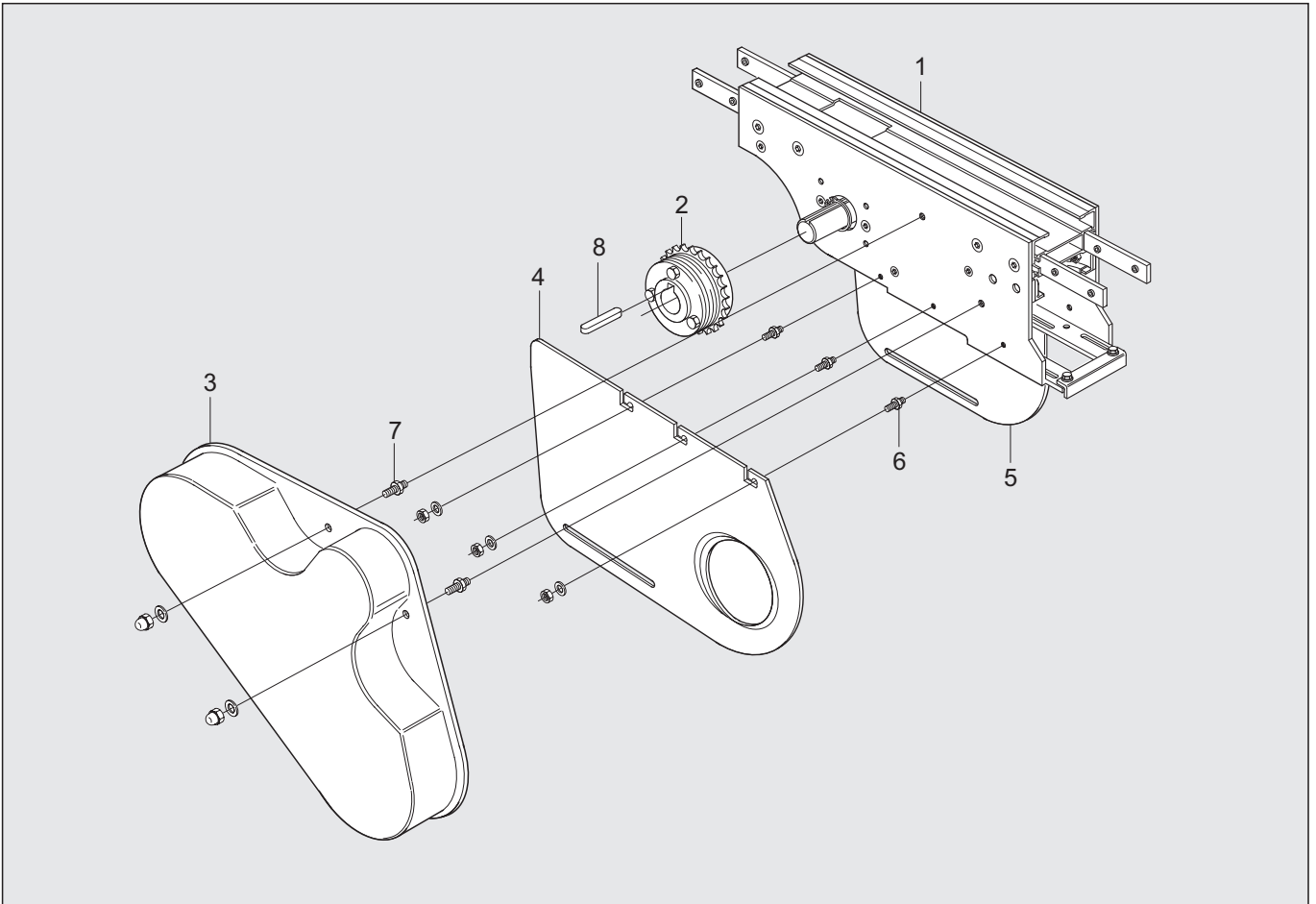
Important

Items 2–4 must be ordered separately when ordering a 0-unit (item 1). The sprocket wheel (item 2) should be specified in accordance with the following table:

Sprocket wheel	Part No (SEW)
Z ₁ =19	3924438
Z ₁ =21	3924439
Z ₁ =23	3924440

Intermediate drive unit

0-unit – XHER 0 HL/HR

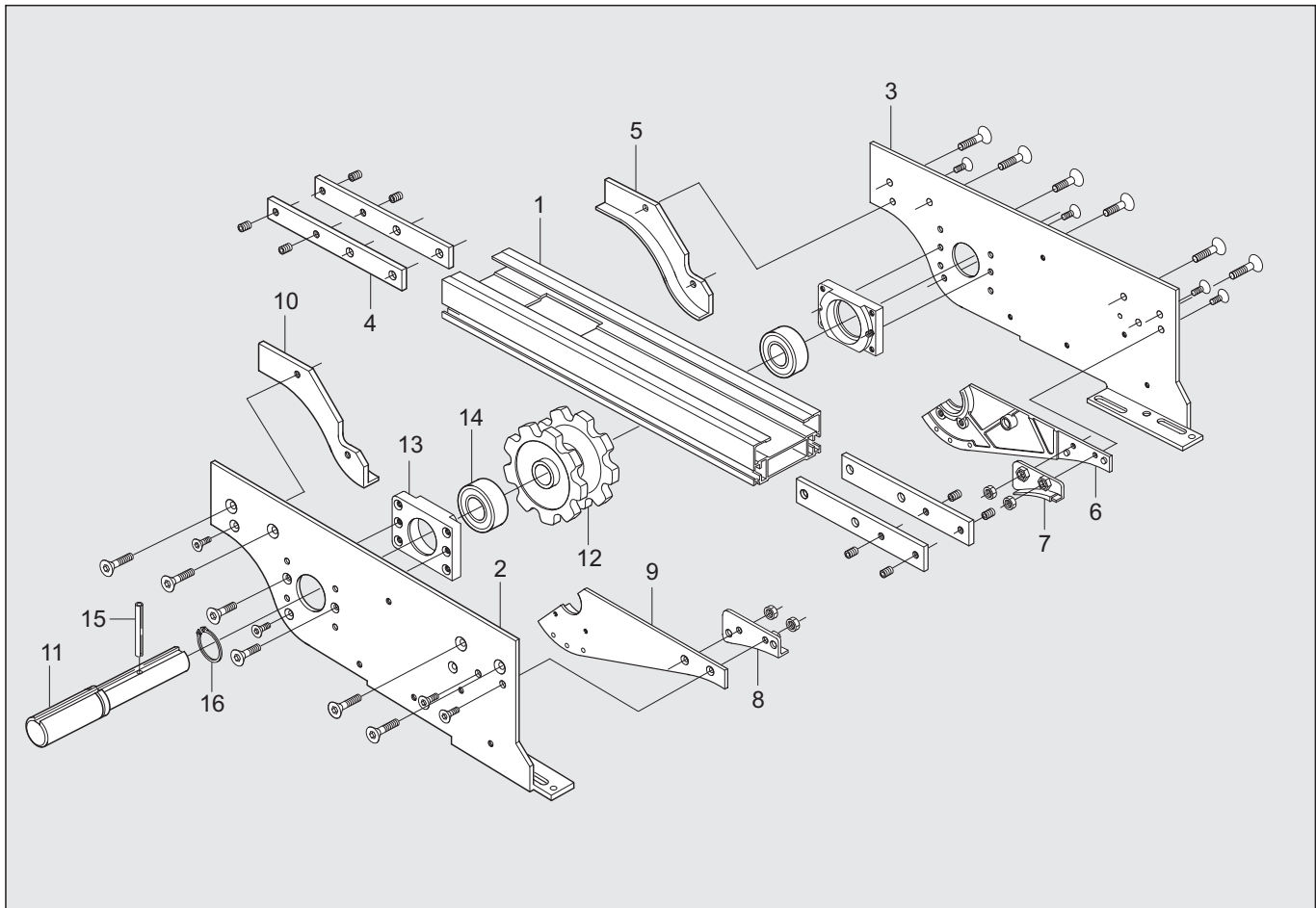


Item	Description	Part No	Qty	Comments
1	Basic unit (left-hand version)	XHER 0 HLU	1	See next page for details
	Basic unit (right-hand version)	XHER 0 HRU	1	See next page for details
2	Slip clutch Ø25 mm	5053981	1	☆
3	Transmission cover	3904431	1	☆
4	Slack protection	3904666	1	
5	Slack protection	3904665	1	
6	Screw	3904862	5	
7	Screw	3904855	2	
8	Wedge	8x7-25	1	ISO/R 773

☆ = recommended spare part

Intermediate drive unit

Basic unit – XHER 0 HLU/HRU



Item	Description	Part No	Qty	Comments
1	Beam	3926790	1	
2	Side plate L	3927121	1	
3	Side plate R	3927122	1	
4	Connecting strip	3924975	4	
5	Steering guide R	3902661	1	☆
6	Side plate R	3927180	1	
7	Guide R	3904313	1	☆
8	Guide L	3904744	1	☆
9	Side plate L	3927181	1	
10	Steering guide L	3924634	1	☆
11	Drive shaft	3926791	1	
12	Drive wheel	3902527	1	☆
13	Bearing house	3927119	2	
14	Bearing	6204-RS1/C3	2	
15	Tension pin	FRP 6x55	1	
16	Retaining ring	SgA 25	1	

☆ = recommended spare part

