



End drive unit – XB 175

Contents

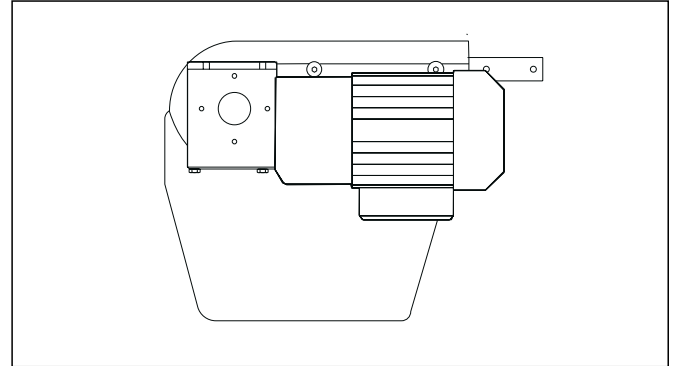
End drive unit, without slip clutch

Complete unit – XBEB _A175 LP/RP _____	2
0-unit – XBEB 0A175 LP/RP _____	3
Basic unit – XBEB 0 LPU/RPU _____	4

End drive unit, with slip clutch

Complete unit – XBEB _A175 LPB/RPB _____	5
0-unit – XBEB 0A175 LPB/RPB _____	6
Basic unit – XBEB 0 LPBU/RPBU _____	7

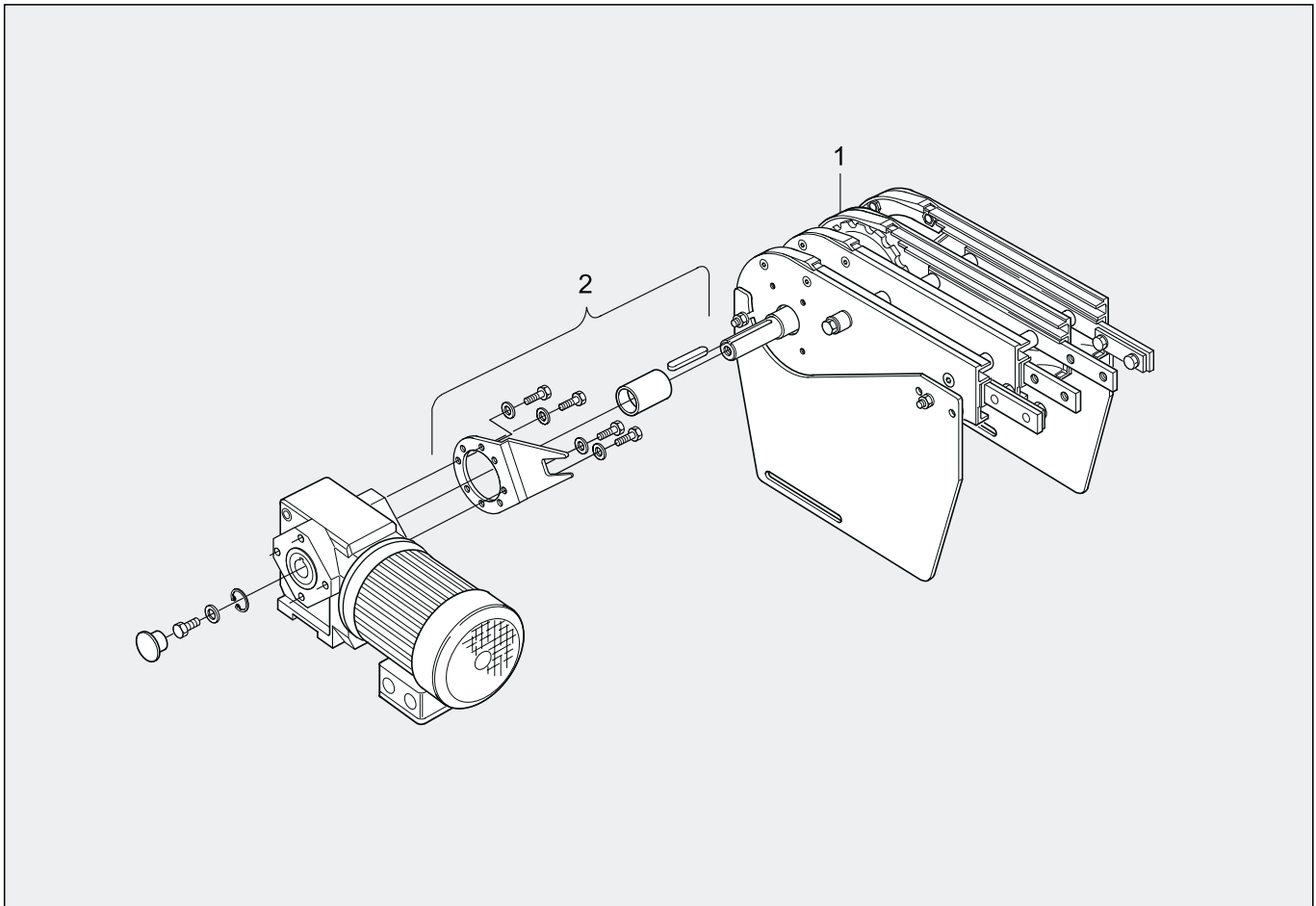
<i>Revision list</i> _____	8
----------------------------	---



End drive unit, without slip clutch

Complete unit – XBEB _A175 LP/RP

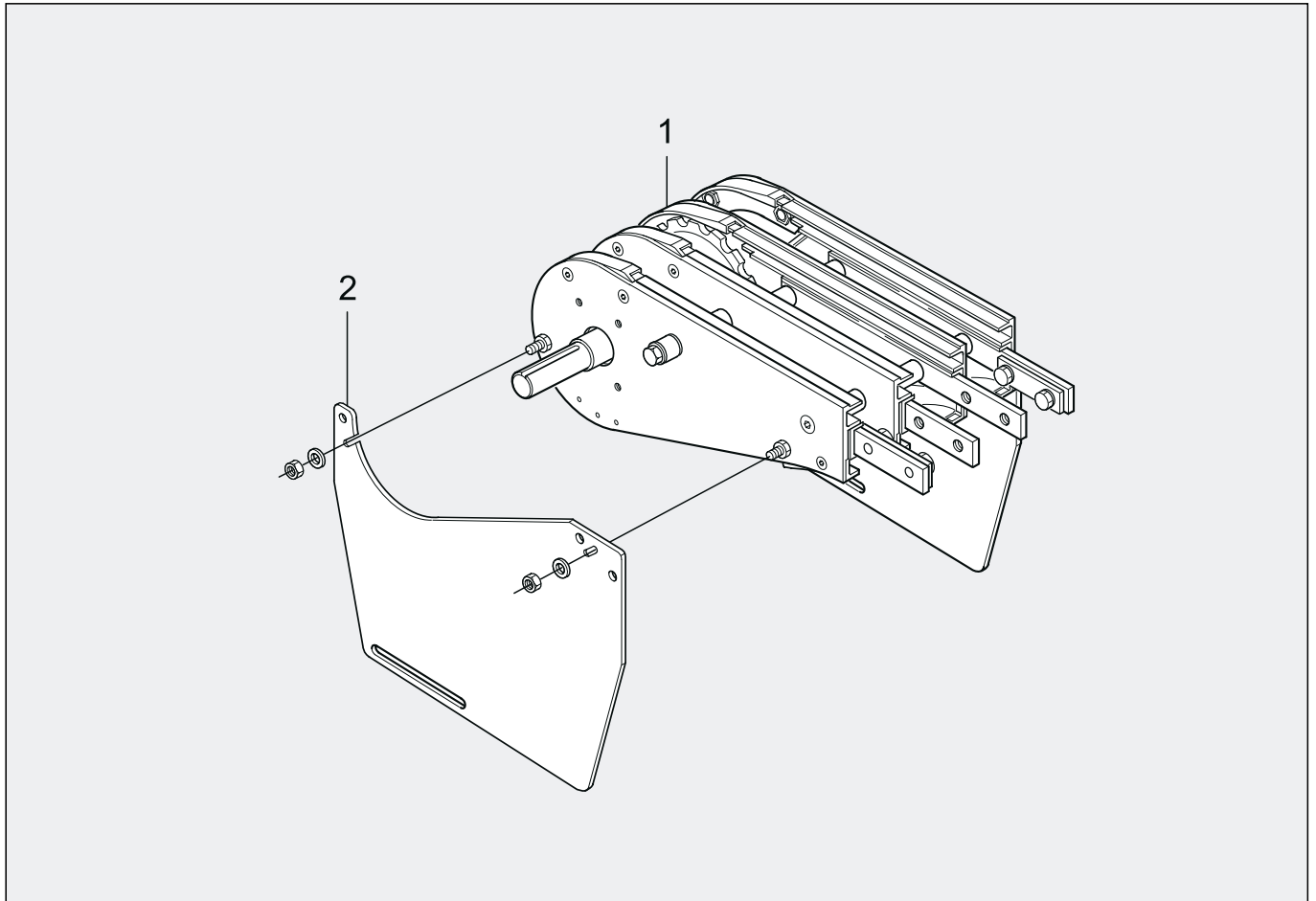
For SEW SA37 gearmotor



Item	Description	Part No	Qty	Comments
10-unit (left-hand version).....	XBEB 0A175 LP1See next page for details.....
0-unit (right-hand version).....	XBEB 0A175 RP1See next page for details.....
2Torque arm.....	50443331

End drive unit, without slip clutch

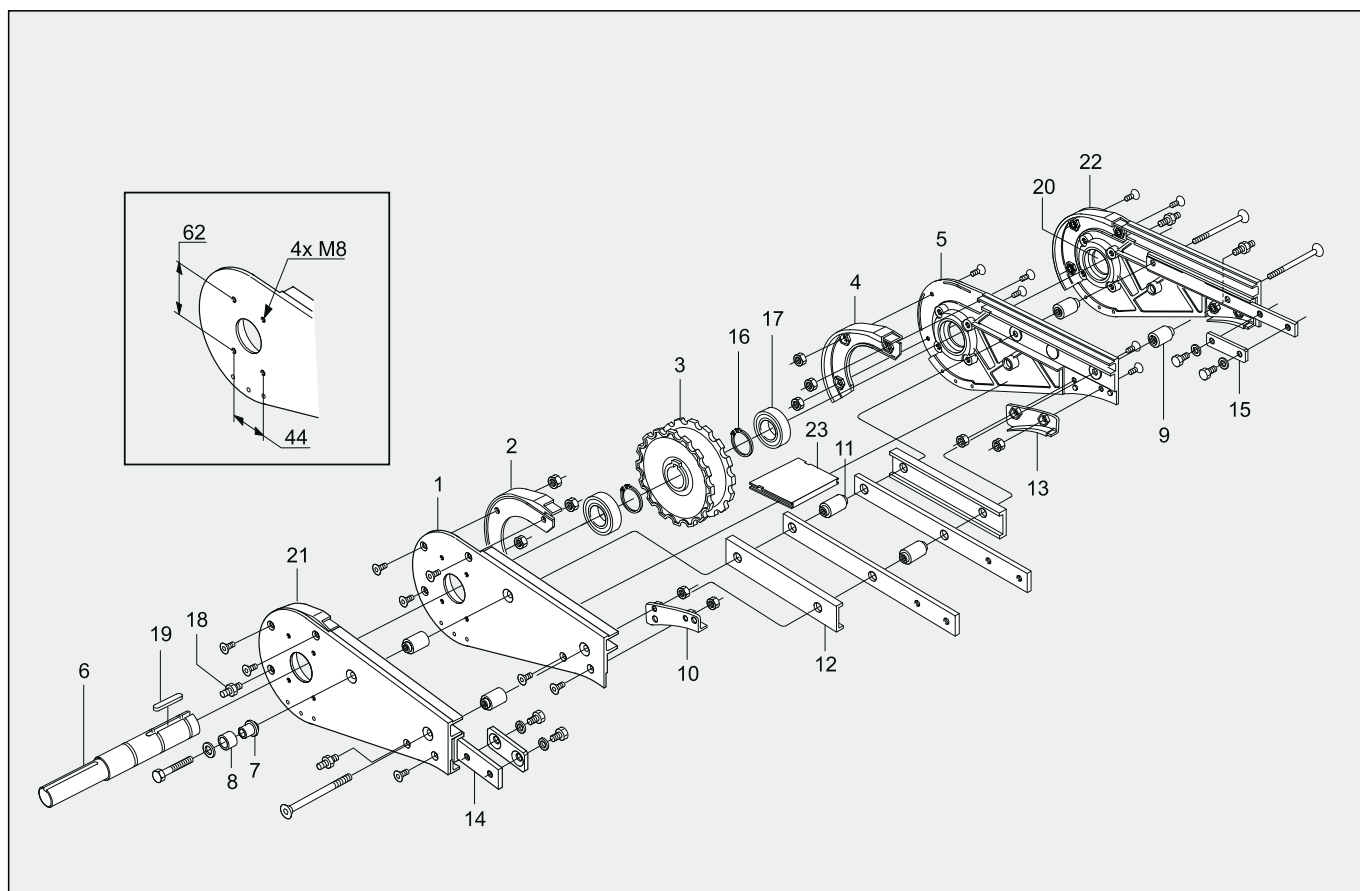
0-unit – XBEB 0A175 LP/RP



Item	Description	Part No	Qty	Comments
1	Basic unit (left-hand version)	XBEB 0A175 LPU	1	See next page for details
	Basic unit (right-hand version)	XBEB 0A175 RPU	1	See next page for details
2	Slack protection plate	5048340	2	

End drive unit, without slip clutch

Basic unit – XBEB 0A175 LPU/RPU



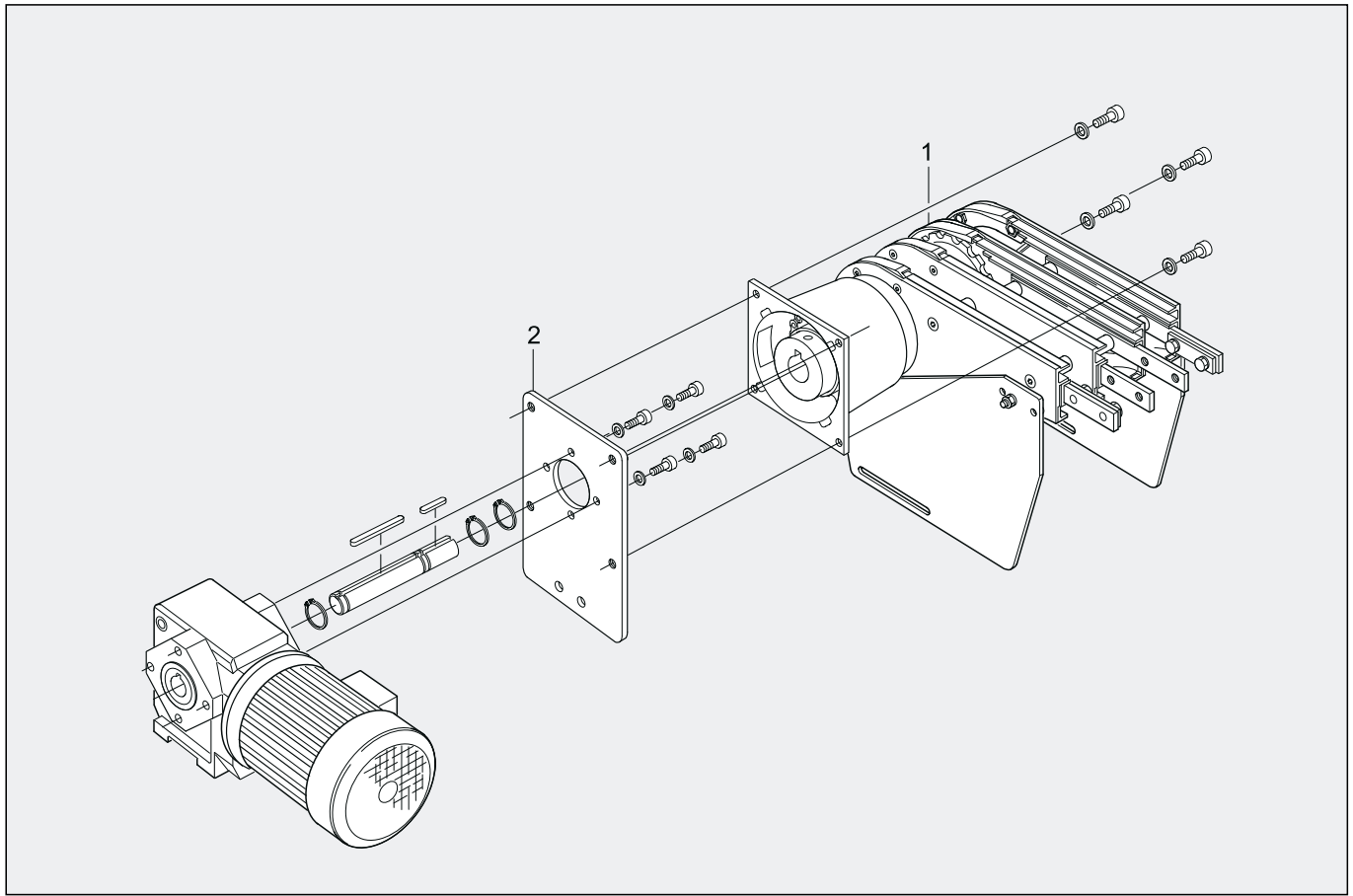
Item	Description	Part No	Qty	Comments
1	Side plate L	3904741	1	
2	Guide L	5043878	2	✓
3	Drive wheel	3904457	1	✓
4	Guide R	5043877	2	✓
5	Side plate R	3904458	1	
6	Drive shaft	5044321	1	
7	Sleeve	5043873	1	
8	Torque absorber	5043874	1	
9	Spacer, outer	5044331	4	
10	Guide L	5043880	2	✓
11	Spacer	5044322	2	
12	Spacer	5044130	4	
13	Guide R	5043879	2	✓
14	Connecting strip	5044317	4	
15	T-slot washer strip	3905041	2	
16	Retaining ring	SgA 25	2	
17	Bearing	6205-2RS1/C3	2	
18	Distance screw	3925718	4	M5/M6
19	Wedge	8x7-40	1	ISO/R 773
20	Cover	RCA 52-7	1	
21	Side plate L (LPU)	5048362	1	
	Side plate L (RPU)	5049304	1	
22	Side plate R (LPU)	5049305	1	
	Side plate R (RPU)	5048363	1	
23	Protection plate	5050995	1	

✓ = recommended spare part

End drive unit, with slip clutch

Complete unit – XBEB _A175 LPB/RPB

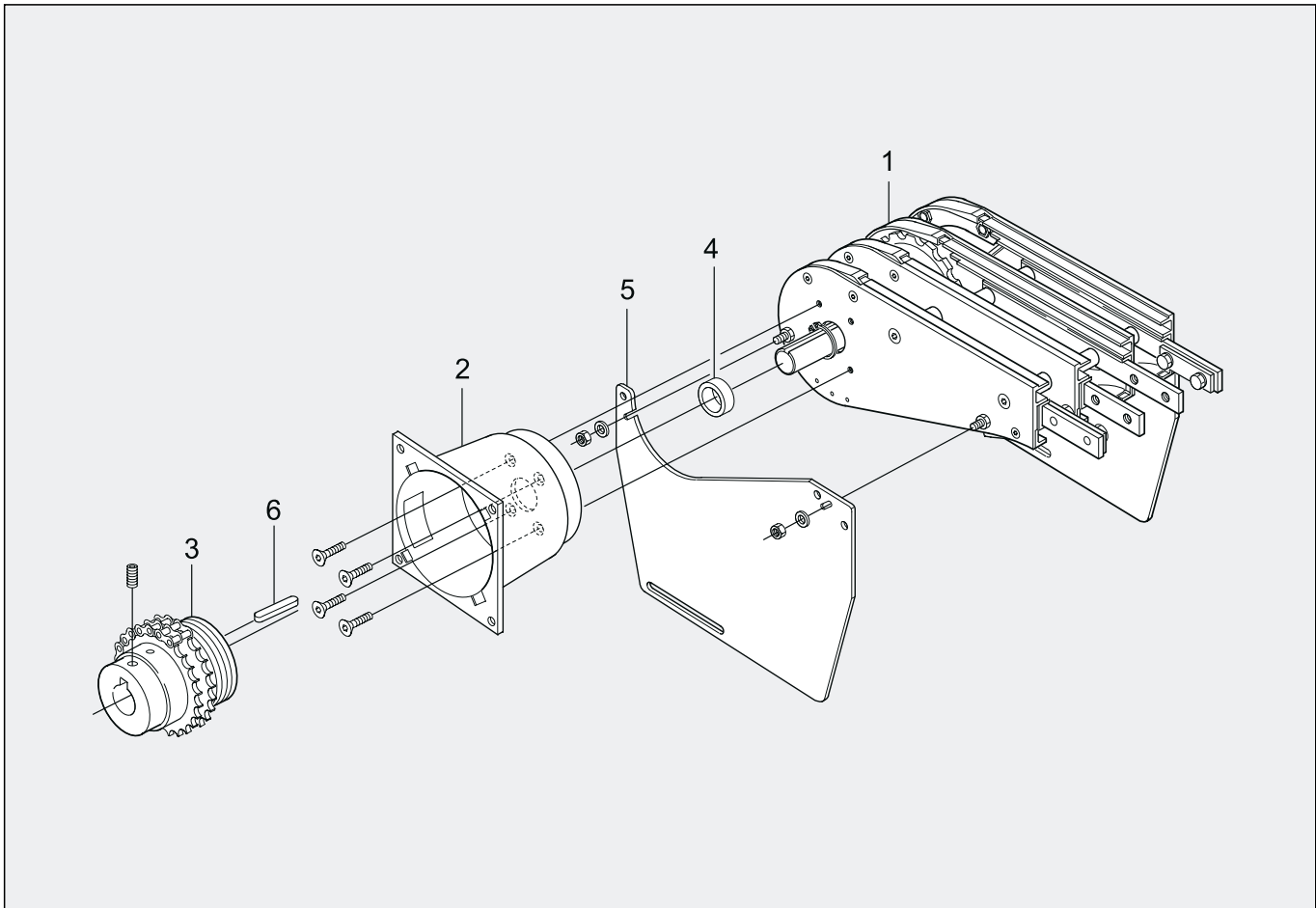
For SEW SA37 gearmotor



Item	Description	Part No	Qty	Comments
10-unit (left-hand version)	XBEB 0A175 LPB1 See next page for details.....
0-unit (right-hand version)	XBEB 0A175 RPB1 See next page for details.....
2Adapter plate including bolts, wedges, washers			
and shaft39200881

End drive unit, with slip clutch

0-unit – XBEB 0A175 LPB/RPB

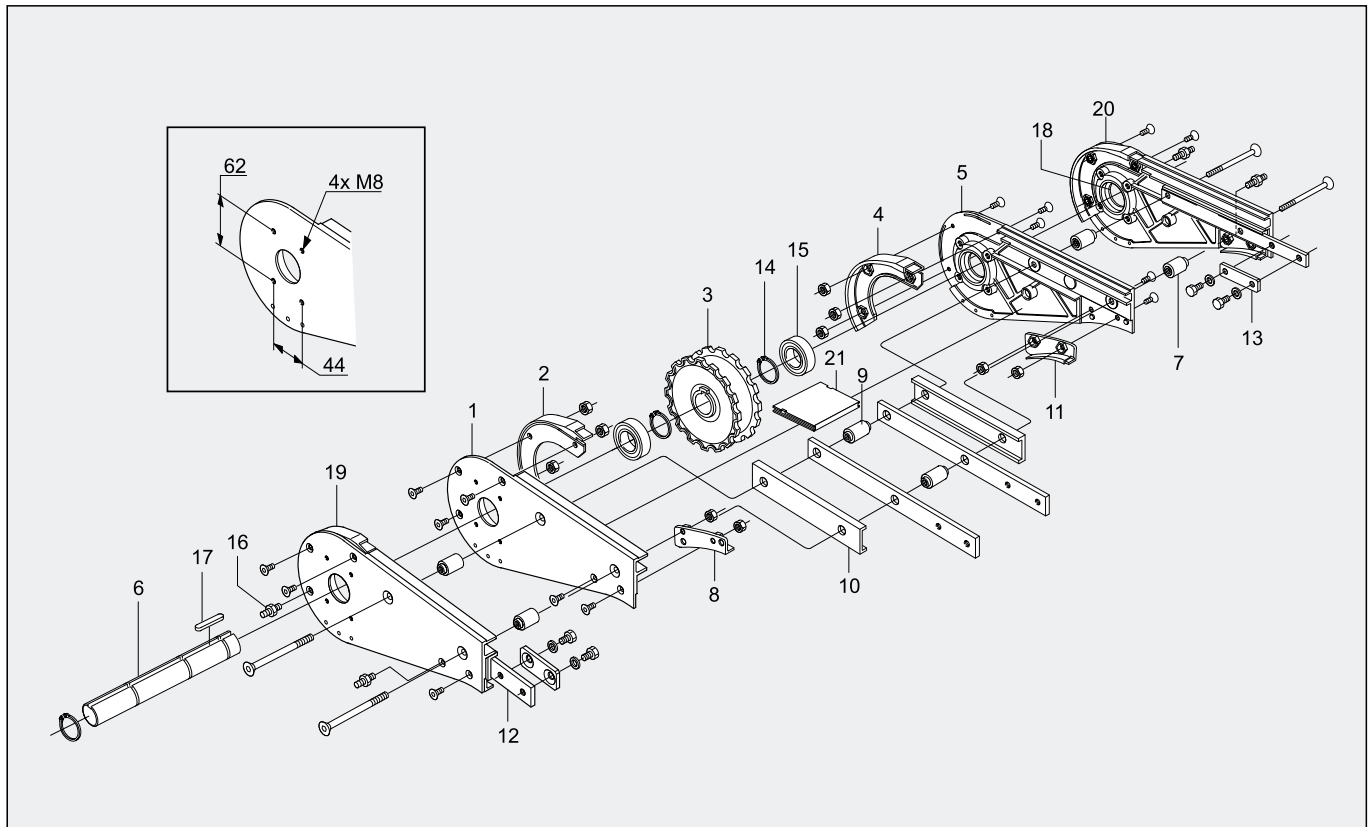


Item	Description	Part No	Qty	Comments
1	Basic unit (left-hand version)	XBEB 0A175 LPBU	1	See next page for details
	Basic unit (right-hand version)	XBEB 0A175 RPBU	1	See next page for details
2	Flange	3920084	1	
3	Slip clutch Ø20–Ø25	5054003	1	✓
4	Spacer	3921652	1	
5	Slack protection	5048340	2	
6	Wedge	8x7–40	1	ISO/R 773

✓ = recommended spare part

End drive unit, with slip clutch

Basic unit – XBEB 0A175 LPBU/RPBU



Item	Description	Part No	Qty	Comments
1	Side plate L	3904741	2	
2	Guide L	5043878	2	✓
3	Drive wheel	3904457	1	✓
4	Guide R	5043877	2	✓
5	Side plate R	3904458	2	
6	Drive shaft	5046379	1	
7	Spacer, outer	5044331	4	
8	Guide L	5043880	2	✓
9	Spacer	5044322	2	
10	Spacer	5044130	4	
11	Guide R	5043879	2	✓
12	Connecting strip	5044317	4	
13	T-slot washer strip	3905041	2	
14	Retaining ring	SgA 25	3	
15	Bearing	6205-2RS1/C3	2	
16	Distance screw	3925718	4	M5/M6
17	Wedge	8x7-40	1	ISO/R 773
18	Cover	RCA 52-7	1	
19	Side plate L (LPU)	5048362	1	
	Side plate L (RPU)	5049304	1	
20	Side plate R (LPU)	5049305	1	
	Side plate R (RPU)	5048363	1	
21	Protection plate	5050995	1	

✓ = recommended spare part

