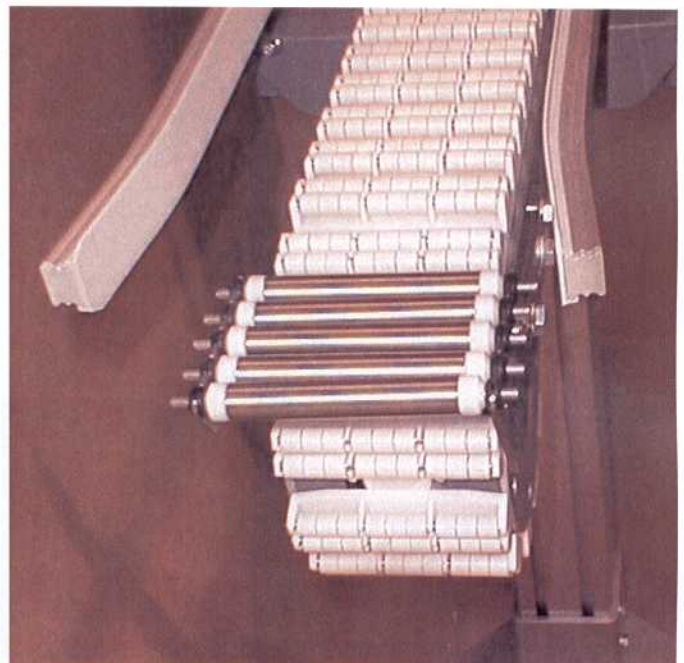
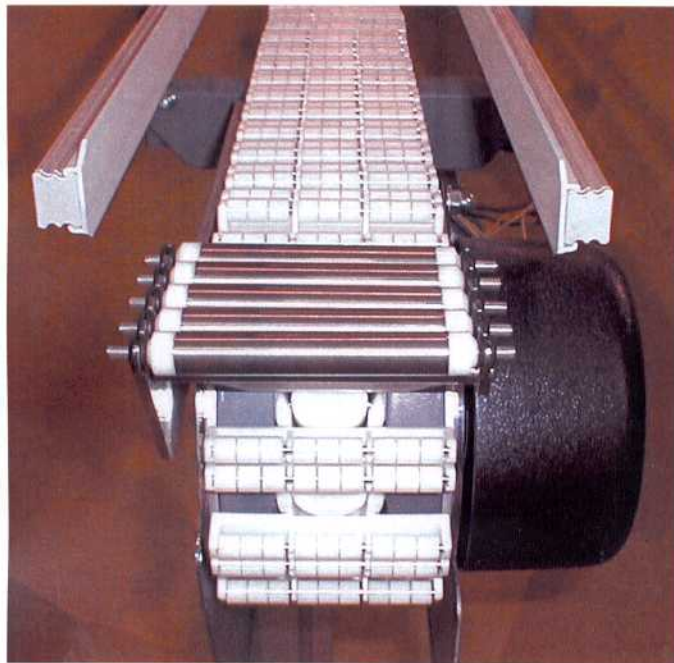


Standard solutions



FlexLink standard solutions for the paper converting industry

Roller transfer - safely transports product from one conveyor to the other



FlexLink offers standard over the end "Pop-Out" safety roller transfers. Each transfer has a series of rollers that are attached with rubber grommets. If anything gets caught in the transfer the rollers easily pop out to ensure safety. The safety roller transfers are available for every series FlexLink conveyor and are adjustable to fit standard, friction top, or roller top chain. They are also available in drive end, idle end, drive / idle, and tandem versions.

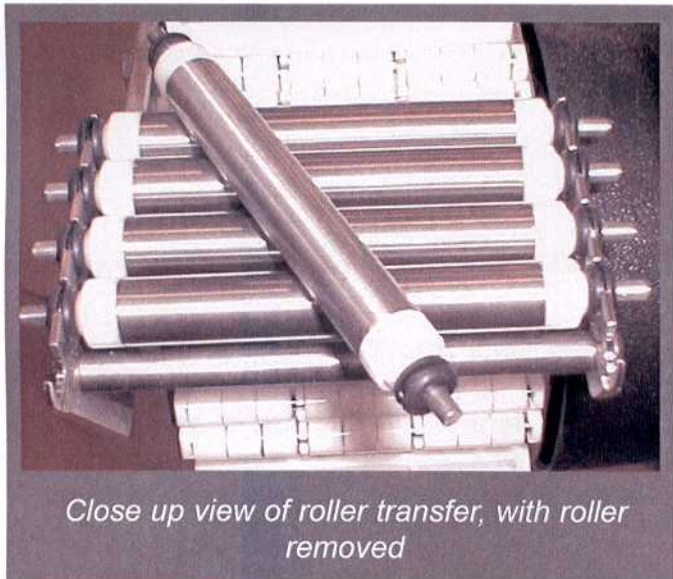
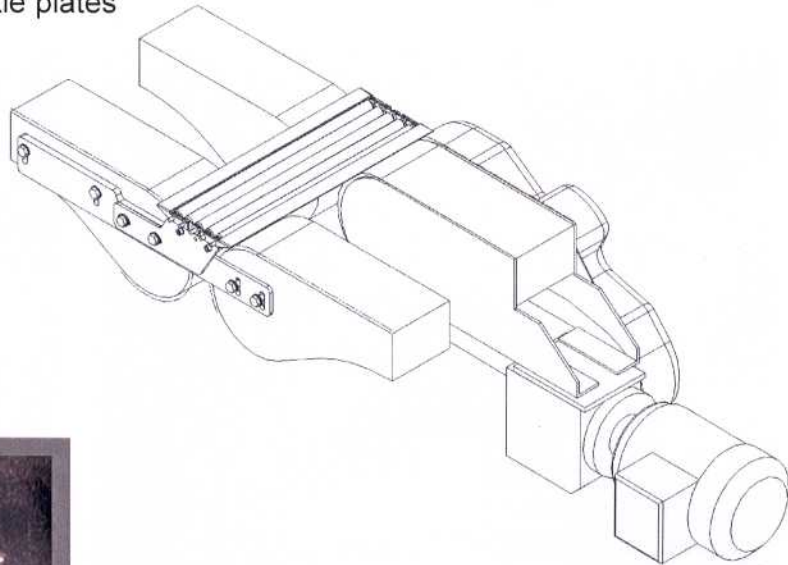
- **Safe:** The "Pop-Out" safety roller transfers are safe for operators and products.
- **Easily adjustable:** Each unit is slotted to be adjustable for optimal transfers. The also can be adjusted for different chain types.
- **Easy to mount:** Each transfer mounts in standard tapped holes existing in every drive and idler.
- **Available in many versions:** The safety roller transfers are available in every series FlexLink conveyor, drive end, idle end, drive / idle tie, and tandem versions.

Material / Component Specifications:

Side plates adjustable for roller top, friction top or plain chain
Stainless steel side plates
Grommets hold rollers in place
Interroll stainless steel rollers provided

Options:

XL, XM, XH, XK, XB175, XB300
Single or tandem units available
Available as idler, drive, or drive / idler with tie plates



FlexLink is a leading supplier of automation solutions for manufacturing and assembly processes. The Paper Converting Centre of Excellence is a unit within FlexLink with specialists on product handling equipment for the tissue paper industry. We deliver systems for cost-efficient flow management at all stages of the converting operation, from the core to the finished product. Our extensive offer ranges from component deliveries to turn-key installations and pre-assembled modular units for the most common requirements.