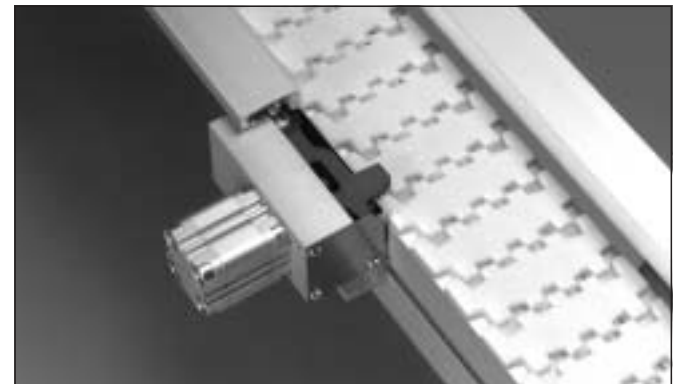




Pallet locating station, pallet stop and stop device – XK

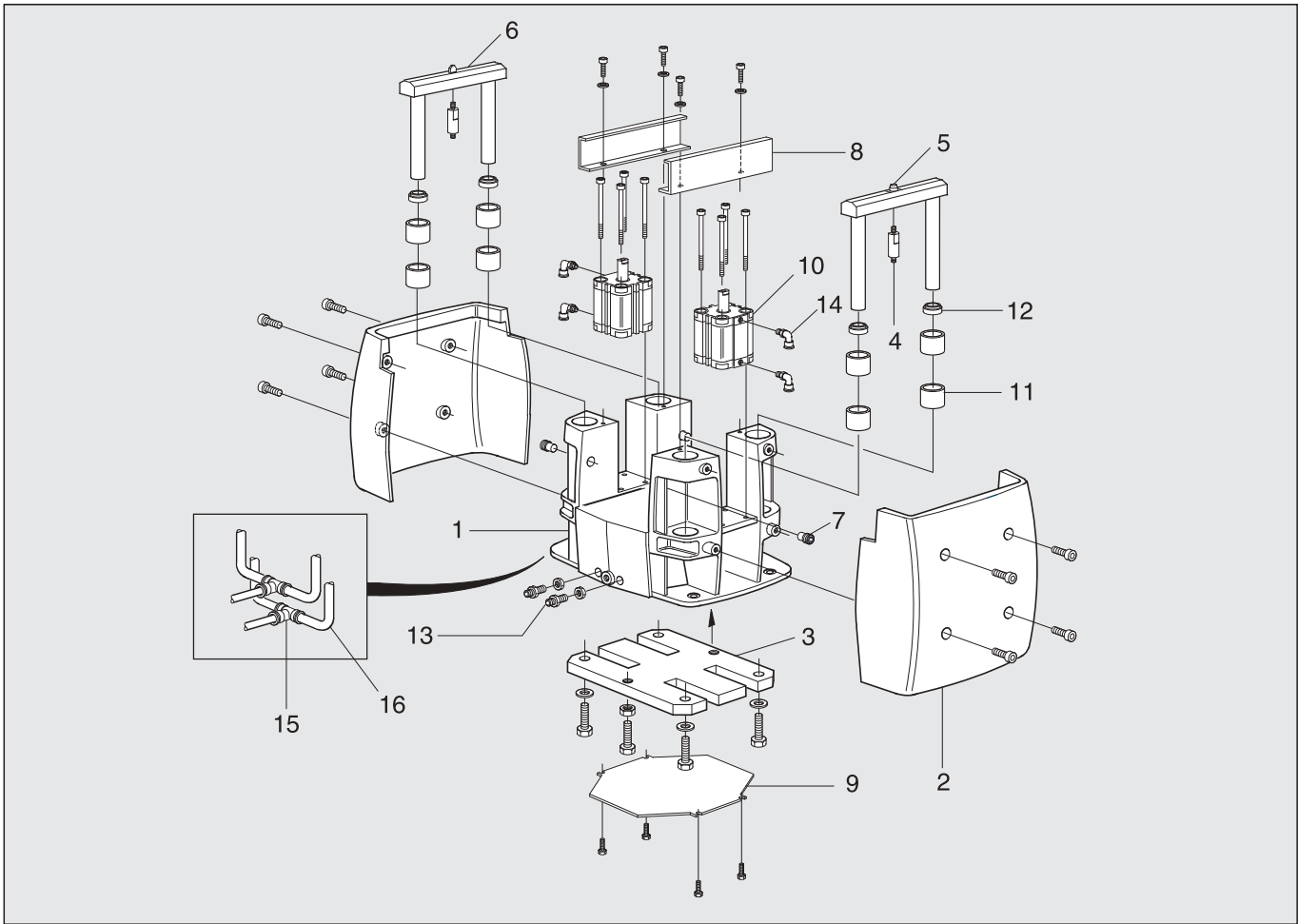
Contents

<i>Pallet locating station</i> XKPX 175 _____	2
<i>Pallet stop for locating station</i> XKPD 32x15 L _____	3
<i>Pallet stop device</i> XKPD 32x15 _____	4
<i>Revision list</i> _____	5



Pallet locating station

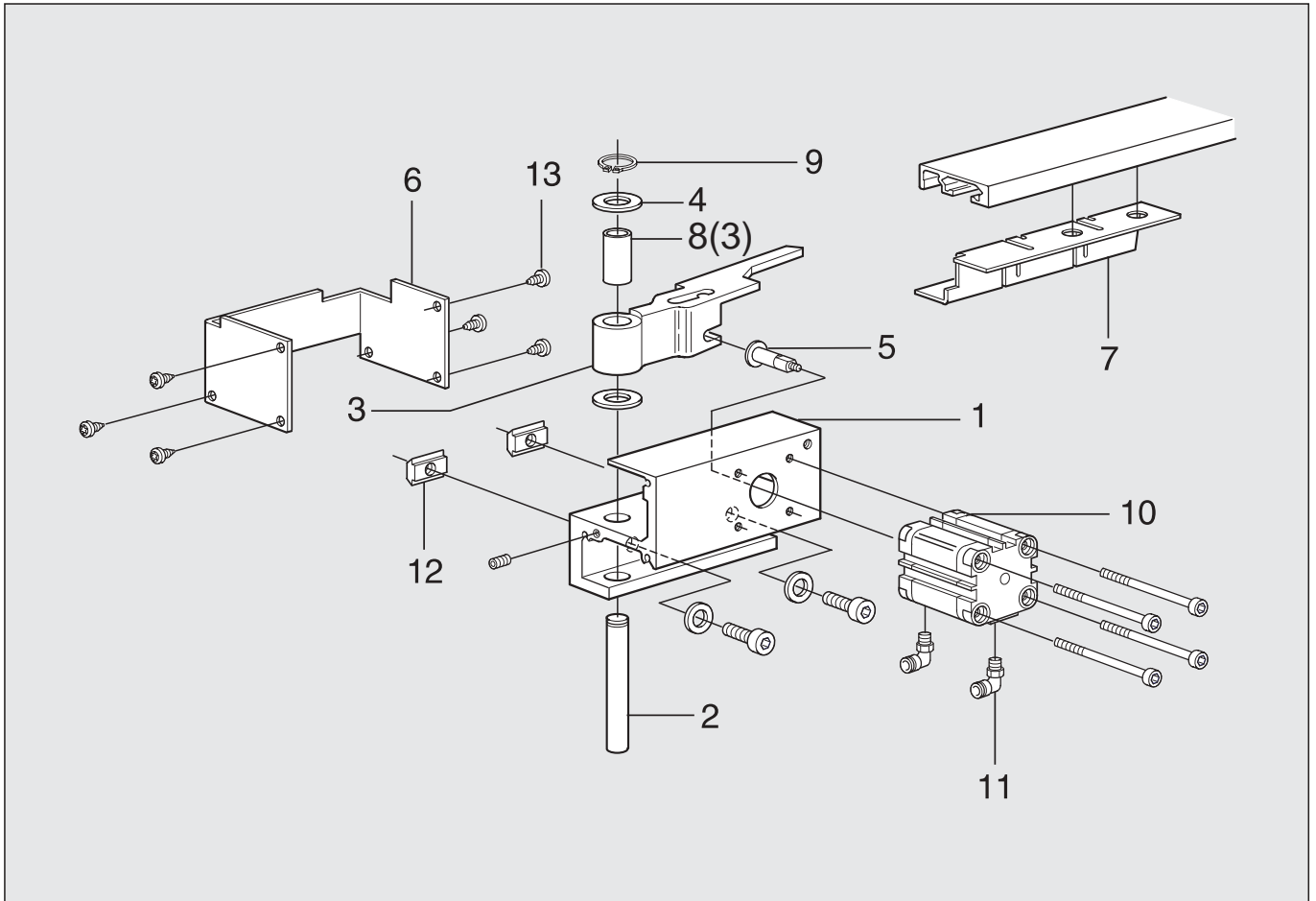
XKPX 175



Item	Description	Part No	Qty	Comments
1Frame.....	3926590	1	
2Cover	3926591	2	
3Plate.....	3926593	1	
4Axle peg	3926596	2 Loctite or similar
5Ruler kpl.....	3927411	1	
6Ruler kpl.....	3927412	1	
7Guide screw	3926599	4	
8Shield	3926600	2	
9Cover	3927340	1	
10Pneumatic cylinder	ADVU-40-25-P-A	2	
11Bushing.....	777 25/30x20	8	
12Rod wiper	25-35-7-10	4	
13Bulkhead connector	QSMS-6	2	
14L-fitting.....	QSML-1/8-6	4	
15T-connector	QSMT-6	2	
16Plastic tubing.....	PUN-6x1	1L=0,5 m

Pallet stop for locating station

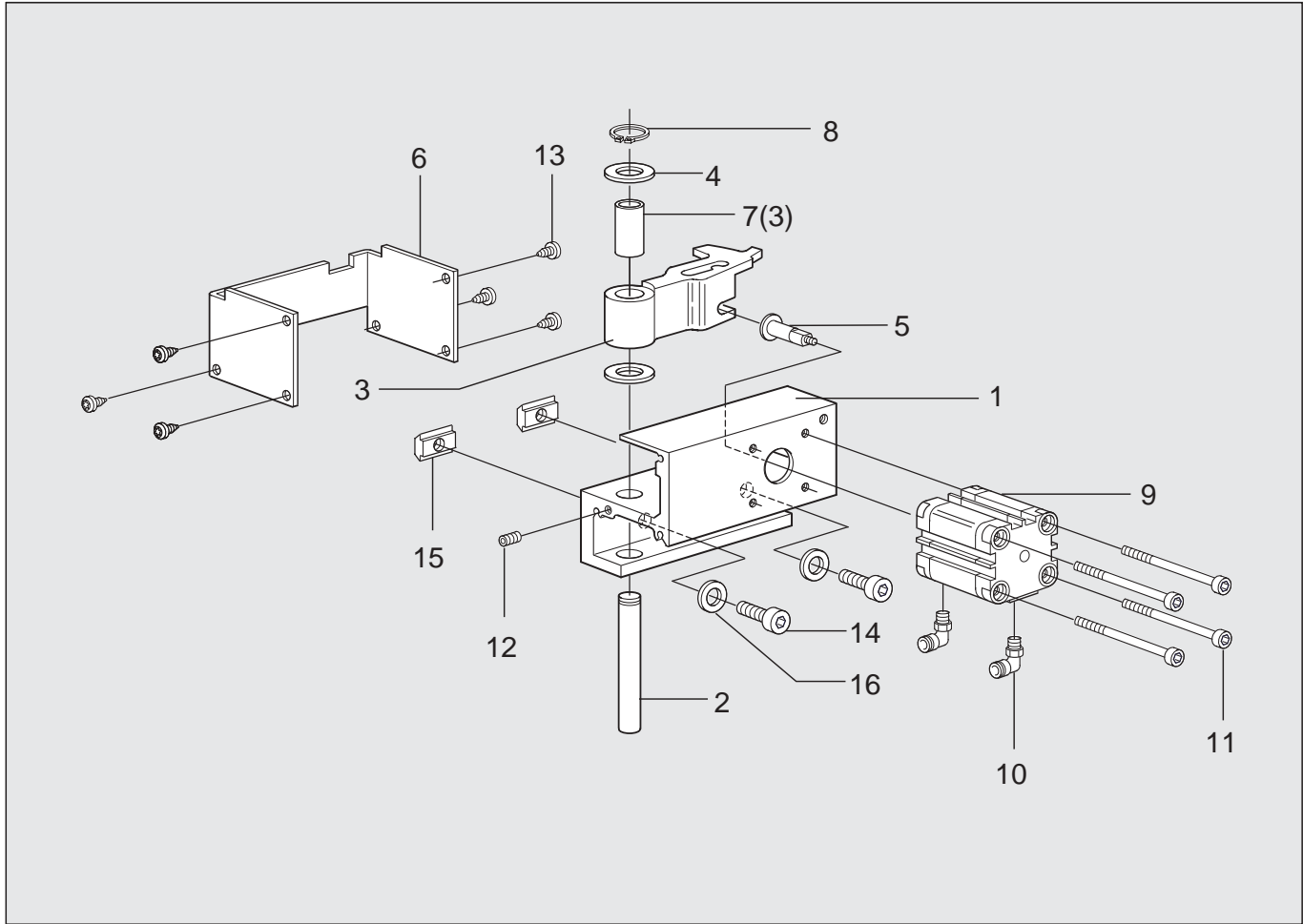
XKPD 32x15 L



Item	Description	Part No	Qty	Comments
1	Attachment	3926471	1	
2	Shaft	3926473	1	
3	Arm	3927339	1	Including item 8
4	Washer	3926474	2	
5	Piston rod end	3921314	1	Loctite or similar
6	Cover	3927138	1	
7	Cover	3927137	1	
8	Radial bearing	GLY.PG 1618 25 F	1	See item 3
9	Retaining ring	SgA 16	1	
10	Pneumatic cylinder	ADVU 32-15-P-A	1	
11	L-fitting	QSML-1/8-6	2	
12	Slot nut	XCAN 8	2	
13	Screw	RXS-Z ST 4,2x6,5	6	Loctite or similar

Pallet stop device

XKPD 32x15



Item	Description	Part No	Qty	Comments
1	Attachment	3926471	1	
2	Shaft	3926473	1	
3	Arm	5053762	1	Including item 7
4	Washer	3926474	2	
5	Piston rod end	3921314	1	Loctite or similar
6	Cover	3927002	1	
7	Radial bearing	GLY. PG 161825 F	1	See item 3
8	Retaining ring	SgA 16	1	
9	Pneumatic cylinder	ADVU 32-15-P-A	1	
10	L-fitting	QSML -1/8-6	2	
11	Screw	MC6S 5x65	4	Loctite or similar
12	Screw	S6SS 6x8	1	Loctite or similar
13	Screw	RXS-Z ST 4,2x6,5	6	Loctite or similar
14	Screw	MC6S 8x20	2	
15	Slot nut	XCAN 8	2	
16	Washer	BRB 8,4x16	2	

