

## FT-40-RD Centrifugal Feeder

Designed for Quiet, High Speed Feeding

### Product Overview:

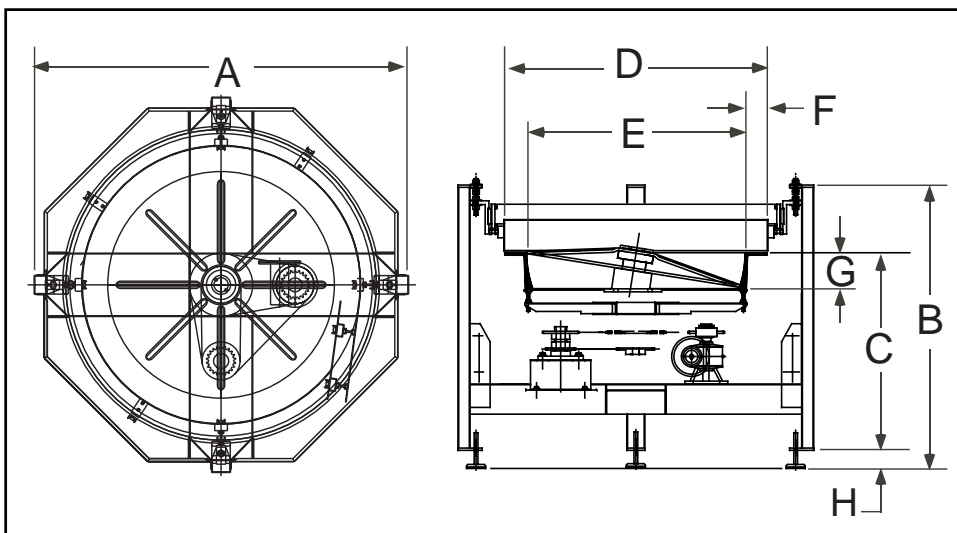
Hoppmann's standard FT-40 rigid disc centrifugal feeder is designed to feed a variety of products with its unique bowl design. Product is metered into the bowl and brought out to the bowl rim where a series of qualifiers gently orient the part for transfer to various downstream inline devices.

### Product Specifications:

	ANSI	Metric
A. Outside Diameter	59"	1499mm
B. Frame Height	47" ± 1.5"	1194mm ± 40mm
C. Discharge Height	36" ± 2"	914mm ± 51mm
D. Bowl Outside Diameter	43.46"	1104mm
E. Bowl Inside Diameter	36.25"	921mm
F. Rim Width	3.61"	92mm
G. Bowl Depth	5.40"	137mm
H. Level Foot Adjustment	3.00" ± 1"	76mm ± 25mm

### Standard Models:

Part Number	FT401RLDSA	FT401RLASA
Motor Style	DC	AC
Motor Voltage	90V	230/460V
Horsepower	1/2 hp	1/2 hp



### Standard Features:

- All stainless steel construction
- FDA approved ABS vacuum formed disc
- Teflon hard-coated finished aluminium bowl

### Available Options:

- Polycarbonate covers
- Dual motor drive system
- Mechanical style level sensor (proximity sensor not included)