

EH-08/EH-15/EH-25 Horizontal Discharge, Elevating Prefeeder

Designed for Floor Level Parts Loading

Product Overview:

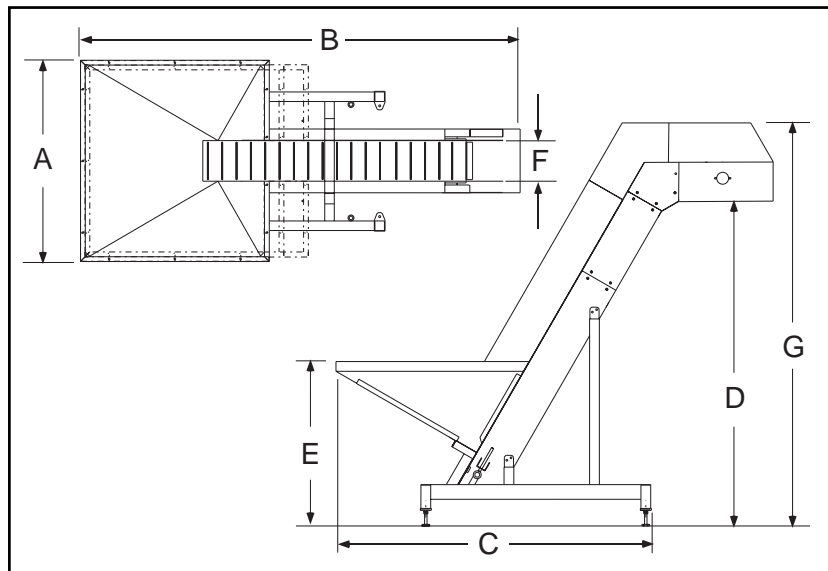
Hoppmann's Horizontal Discharge, Elevating Prefeeder, the EH-08, allows for unmatched versatility in gentle product handling. Using a modular, plastic, cleated chain to vertically and horizontally transport parts, the EH-08's multi-dimensional discharge is closer to the feeder bowl, eliminates potential scraping or scuffing of parts, and is able to reach over existing equipment via the horizontal discharge chute. Benefits include reduced overall height, adjustable chain cleats, and floor level parts loading. This prefeeder is designed to handle a wide variety of part sizes.

Product Specifications:

	ANSI	Metric
A. Overall Width	42"	1067mm
B. Overall Length	79"	2007mm
C. Lower Chassis Footprint	65"	1651mm
D. Dump Height (Adjustable)	42"-53"	1067-1346mm
E. Hopper Load Height (8 cu. ft.)	34"	864mm
Hopper Load Height (15 cu. ft.)	41"	1041mm
Hopper Load Height (25 cu. ft.)	50"	1270mm
F. Belt Width	9"	229mm
G. Overall Height (Adjustable)	82 - 115"	2083 - 2921mm

Standard Models:

Part Number	EH0808XASA
Motor Style	AC
Motor Voltage	230V
Horsepower	1/4 hp
Total Equipment Weight	720 lbs.



Standard Features:

- All stainless steel construction
- Modular plastic chain with 2" cleat height and 6.00" cleat pitch
- AC motor
- One piece formed hopper (EH-08)

Available Options:

- Elevator extensions
- Continuous welded hopper seams (EH-15 and EH-25)
- Elevator/hopper covers
- Mounted controller
- Casters
- Hopper extensions for 15 and 25 cubic foot capacities
- Mechanical style level sensor (proximity sensor not included)
- Pneumatic part agitator (hopper)
- One (1") cleats