



### Product Overview:

The standard FS-30 scallop feeder is designed to feed and orient bottles and other cylindrical parts with the use of urethane scallops. Parts are radially oriented and gently qualified in the scallop pockets by means of sweeps, wipers, pneumatic and/or electric devices depending on specific product characteristics. Oriented parts are discharged and carried away by various downstream in-line devices.

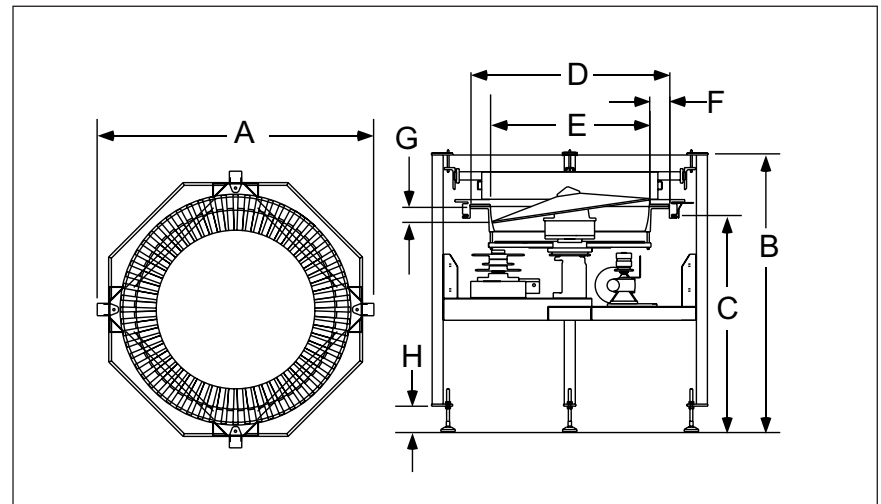
Part Number	FS301RLDSA	FS301RLASA
Motor Style	DC	AC
Motor Voltage	90V	230/460V
Horsepower	1/3hp	1/3hp

### Standard Features:

- All stainless steel exterior construction
- FDA approved ABS vacuum formed disc
- Teflon Hardcoat Anodized aluminium bowl
- Air clutch
- Hinged polycarbonate cover with safety interlocks
- Backup Ring

### Available Options:

- Washdown motor(s)
- Urethane scallop kit
- NEMA 1 encased controller



### Accessories:

FS Series Scallop Kit	FS30SCALXX
(includes segment plates and one of the following number of scallops: 36, 48, 54, 60 or 72)	

Product Specifications		ANSI	Metric
A	Outside Diameter	50.25"	1276mm
B	Overall Height	53"	1346mm
C	Discharge Height	36"	914mm
D	Bowl Outside Diameter	36"	914mm
E	Bowl Inside Diameter	28.80"	732mm
F	Rim Width	3.60"	91mm
G	Bowl Depth	4.5"	114mm
H	Level Foot Adjustment	5" ± 2.5"	127 ± 64mm

**Headquarters**  
13129 Airpark Drive  
Suite 120  
Elkwood, VA 22718  
540.829.2564 t  
800.368.3582 t  
540.829.1726 f

**Sales**  
1445 Brookville Way  
Suite F  
Indianapolis, IN 46239  
317.322.0754 t  
800.368.3582 t  
317.322.0794 f

**Manufacturing**  
291 Dillard Road  
Madison Heights, VA  
24572  
434.929.4746 t  
800.543.0915 t  
434.929.4959 f

Shibuya Hoppmann Corporation strives to improve its products and reserves the right to change or discontinue specifications & designs shown in this brochure without notice and without incurring obligation. Revised: 05/12.