

FRS-60-RD Centrifugal Feeder

www.ShibuyaHoppmann.com

Shibuya Hoppmann™



Product Overview:

Shibuya Hoppmann's standard FRS-60 is specifically designed to feed a wide range of large bottles and parts. The delivery rate varies from moderate to high speed depending on part characteristics. The FRS-60 is engineered to interface with Shibuya Hoppmann prefeeders, accumulating conveyors, assembly systems and other downstream equipment. Note: Tooling is not included with this unit.

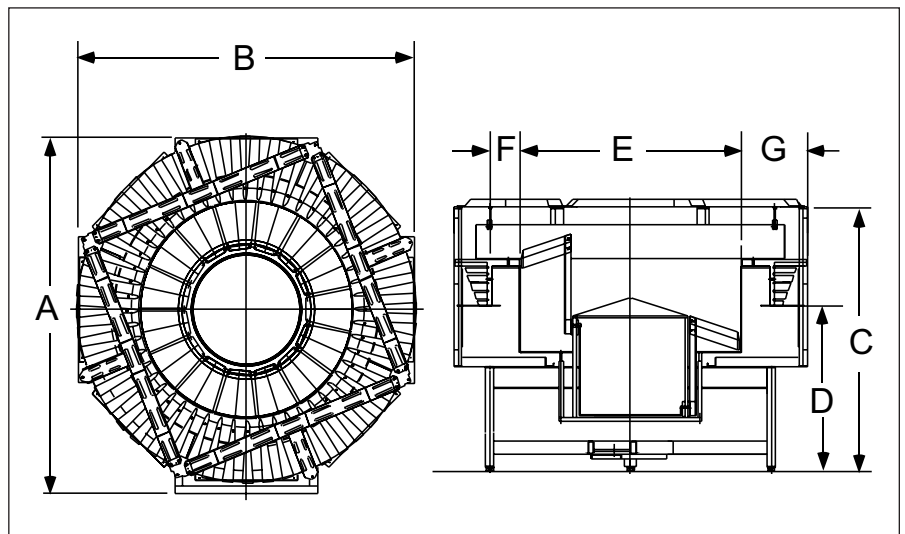
Part Number	RS60XXXDSA	RS60XXXASA
Motor Style	DC	AC
Motor Voltage	90V	208-230/460V
Horsepower	3/4hp	3/4hp
Total Equipment Weight	2500 lbs.	1134 kg

Standard Features:

- All stainless steel exterior construction
- Air clutch
- Teflon Hardcoat Anodized aluminium bowl predrilled for scallop mounting
- Backup ring
- Polycarbonate safety covers

Available Options:

- Washdown motor
- Urethane scallop kit
- NEMA 1 encased controller



Required Accessories:

FRS Series Scallop Kit (both styles)	URTHCAST64
--------------------------------------	------------

Product Specifications	ANSI	Metric
A Overall Width at Exit Zone	85"	2159mm
B Overall Width	82"	2083mm
C Overall Height	66" ± 5"	1676 ± 127mm
D Discharge Height	40" ± 5"	1016 ± 127mm
E Bowl Inside Diameter	51.79"	1315mm
F Rim Width	8"	203mm
G Scallop Length	12"	305mm