



Product Overview:

The standard FR-30 feeds and orients a wide variety of parts utilizing a stationary loading ramp and the products natural weight bias. The delivery rate varies from moderate to high speed depending on part characteristics.

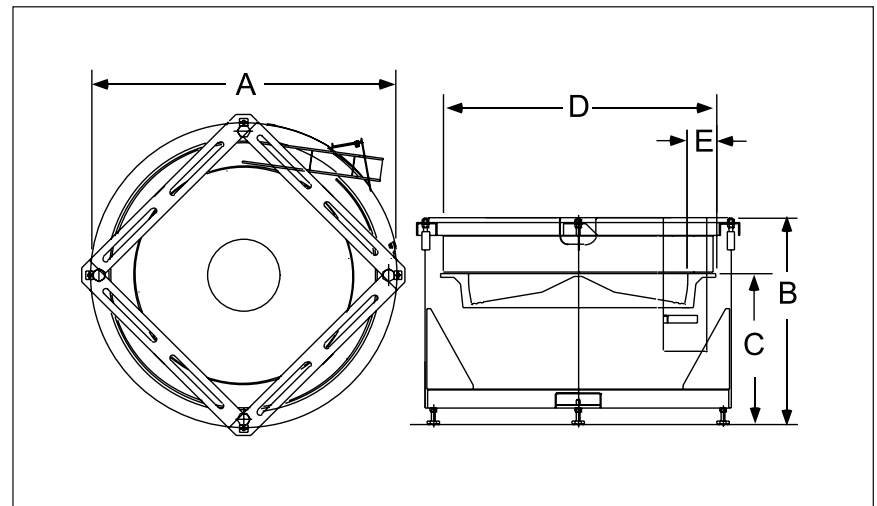
Part Number	FR30XXXDSA	FR30XXXASA
Motor Style	DC	AC
Motor Voltage	90V	208-230/460V
Horsepower	1/3hp	1/3hp
Total Equipment Weight	350 lbs.	159 kg

Standard Features:

- All stainless steel exterior construction
- Teflon Hardcoat Anodized aluminium bowl

Available Options:

- Washdown motor(s)
- Polycarbonate covers
- NEMA 1 encased controller
- Air ramp



Required Accessories:

Clockwise Air Ramp	ARCWFR30SU
Clockwise Square Frame Backup Ring	BUCWFR30SU
Counter-Clockwise Air Ramp	ARCCFR30SU
Counter-Clockwise Square Backup Ring	BUCCFR30SU

Product Specifications		ANSI	Metric
A	Outer Wall Diameter	40.50"	1029mm
B	Overall Height	25.25" ± 1"	667 ± 25mm
C	Discharge Height	18.5"	470mm
D	Bowl Outside Diameter	36.13"	918mm
E	Rim Width	3.63"	92mm

Headquarters
13129 Airpark Drive
Suite 120
Elkwood, VA 22718
540.829.2564 t
800.368.3582 t
540.829.1726 f

Sales
1445 Brookville Way
Suite F
Indianapolis, IN 46239
317.322.0754 t
800.368.3582 t
317.322.0794 f

Manufacturing
291 Dillard Road
Madison Heights, VA
24572
434.929.4746 t
800.543.0915 t
434.929.4959 f

Shibuya Hoppmann Corporation strives to improve its products and reserves the right to change or discontinue specifications & designs shown in this brochure without notice and without incurring obligation. Revised: 05/12.