



### Product Overview:

The standard FR-20 feeds and orients a wide variety of parts utilizing a stationary loading ramp and the products natural weight bias. The delivery rate varies from moderate to high speed depending on part characteristics.

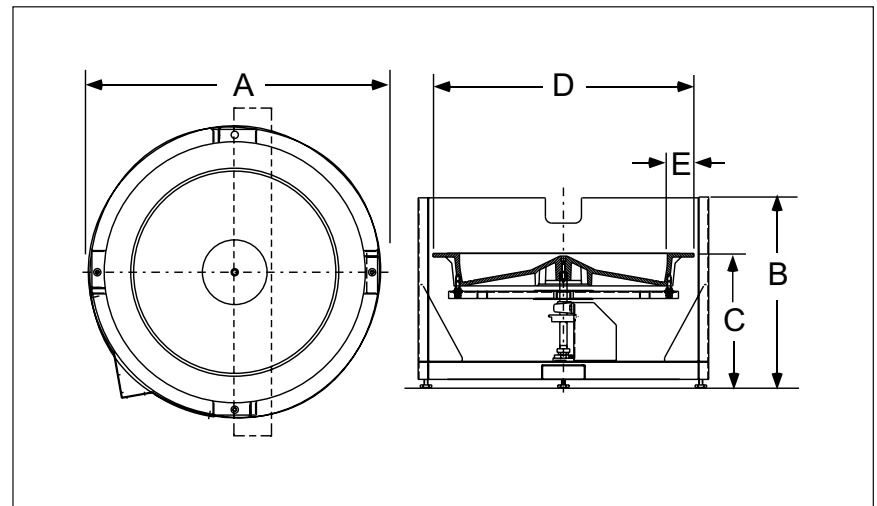
Part Number	FR20XXXDSA	FR20XXXASA
Motor Style	DC	AC
Motor Voltage	90V	208-230/460V
Horsepower	1/3hp	1/3hp
Total Equipment Weight	210 lbs.	95 kg

### Standard Features:

- All stainless steel exterior construction
- Teflon Hardcoat Anodized aluminium bowl

### Available Options:

- Washdown motor(s)
- Polycarbonate covers
- NEMA 1 encased controller
- Air ramp



### Required Accessories:

Clockwise Air Ramp	ARCWFR20SU
Clockwise Square Frame Backup Ring	BUCWFR20SU
Counter-Clockwise Air Ramp	ARCCFR20SU
Counter-Clockwise Square Backup Ring	BUCCFR20SU

Product Specifications		ANSI	Metric
A	Outer Wall Diameter	27.25"	693mm
B	Overall Height	24.25" ± 1"	615 ± 25mm
C	Discharge Height	17.5"	445mm
D	Bowl Outside Diameter	24.81"	631mm
E	Rim Width	2.32"	59mm

**Headquarters**  
13129 Airpark Drive  
Suite 120  
Elkwood, VA 22718  
540.829.2564 t  
800.368.3582 t  
540.829.1726 f

**Sales**  
1445 Brookville Way  
Suite F  
Indianapolis, IN 46239  
317.322.0754 t  
800.368.3582 t  
317.322.0794 f

**Manufacturing**  
291 Dillard Road  
Madison Heights, VA  
24572  
434.929.4746 t  
800.543.0915 t  
434.929.4959 f

Shibuya Hoppmann Corporation strives to improve its products and reserves the right to change or discontinue specifications & designs shown in this brochure without notice and without incurring obligation. Revised: 05/12.