



Product Overview:

The EP-35/EP-50 elevating prefeeder is designed to handle a variety of large, lightweight parts. Its 35 ft³ capacity hopper delivers product at an average belt speed of 23 feet per minute. The cleated elevator belt has a nominal cleat height of 3.00" and a cleat pitch of 12.00" allowing for maximum product loading. A heavy duty variable speed motor helps to ensure proper product metering. Note: Controllers and mechanical level sensors are not supplied with this unit.

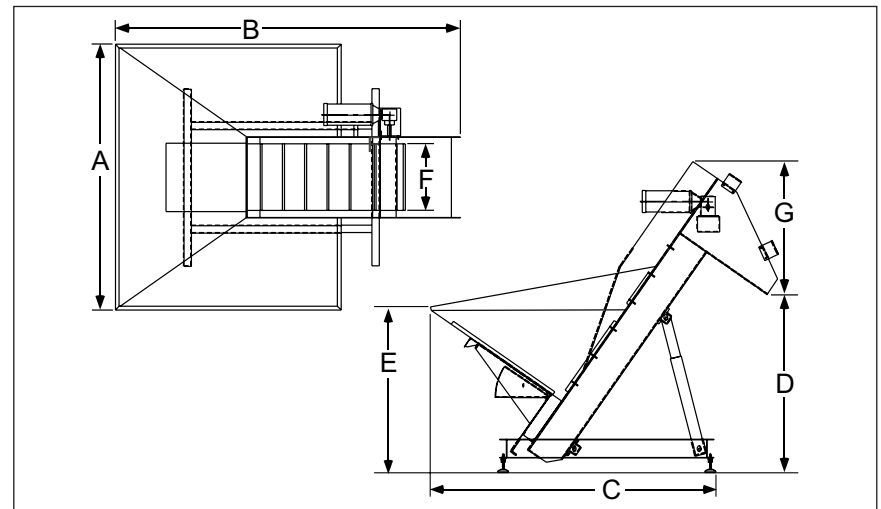
Part Number	EP3518XDSA	EP3518XASA
Motor Style	DC	AC
Motor Voltage	90V	230/460V
Horsepower	1/2hp	373w
Total Equipment Weight	1200 lbs.	544 kg
Hopper Capacity (EP-35/EP-50)	35 ft ³ / 50 ft ³	991 / 1416 liters

Standard Features:

- Stainless steel construction
- Belting is FDA/USDA approved white 1-ply solid woven polyester fabric with .156" thick white PVC coating and PVC cleats
- Hopper clean-out door

Available Options:

- Elevator extensions*
- Hopper extension for 50 ft³ capacity
- Continuous welded hopper seams
- Elevator/hopper covers
- Washdown motor
- NEMA 1 encased controller
- Casters



Product Specifications		ANSI	Metric
A	Overall Width	72"	1829mm
B	Overall Length	95"	2413mm
C	Lower Chassis Footprint	76.62"	1947mm
D	Dump Height (Adjustable)	45 - 58"	1143 - 1473mm
E	Hopper Load Height (EP-35)	45"	1143mm
E	Hopper Load Height (EP-50)	51"	1295mm
F	Belt Width	18"	457mm
G	Discharge Chute Height	25.5"	648mm

* It is strongly recommended that the frame of the prefeeder be reinforced and/or additionally supported for elevator extensions of 54" or greater.

Headquarters
13129 Airpark Drive
Suite 120
Elkwood, VA 22718
540.829.2564 t
800.368.3582 t
540.829.1726 f

Sales
1445 Brookville Way
Suite F
Indianapolis, IN 46239
317.322.0754 t
800.368.3582 t
317.322.0794 f

Manufacturing
291 Dillard Road
Madison Heights, VA
24572
434.929.4746 t
800.543.0915 t
434.929.4959 f

Shibuya Hoppmann Corporation strives to improve its products and reserves the right to change or discontinue specifications & designs shown in this brochure without notice and without incurring obligation. Revised: 05/12.