



Product Overview:

The EP-10/20/30 elevating prefeeder is designed to handle a variety of medium-sized, mid-weight parts. Its 10 ft³ capacity hopper delivers product at an average belt speed of 32'/minute. The 12" wide cleated elevator belt has a nominal cleat height of 2.00" and a cleat pitch of 9.00" allowing for maximum product loading. A heavy duty variable speed motor helps to ensure proper product metering. Note: Controllers and mechanical level sensors are not supplied with this unit.

Part Number	EP1012XDSA	EP1012XASA
Motor Style	DC	AC
Motor Voltage	90V	230/460V
Horsepower	1/4hp	186w
Total Equipment Weight	740 lbs.	336 kg
Hopper Capacity	10 / 20 / 30 ft ³	283 / 566 / 848 liters

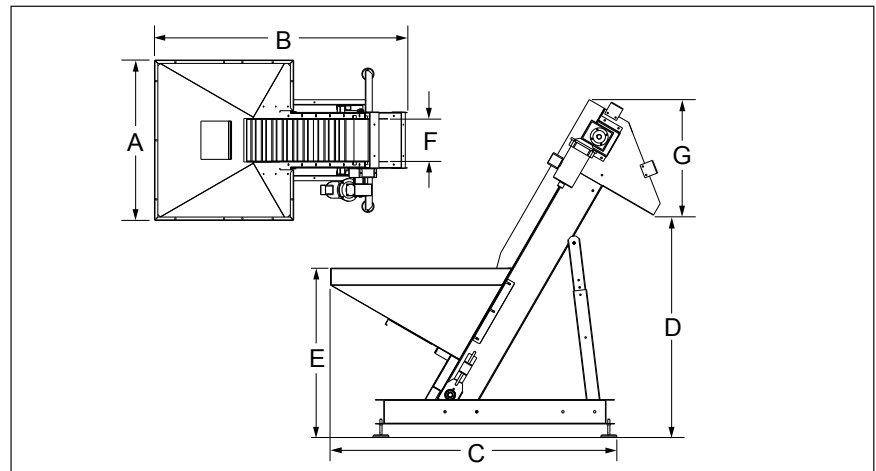
Standard Features:

- Stainless steel construction
- Belting is FDA/USDA approved white 1-ply solid woven polyester fabric with 1/16" thick white PVC coating and PVC cleats
- Hopper clean-out door
- One piece formed hopper (10 cubic foot capacity)

Available Options:

- Elevator extensions*
- Hopper extension for 20 and 30 ft³ capacity
- Continuous welded seams
- Elevator/hopper covers
- Washdown motor
- NEMA 1 encased controller
- Pneumatic hopper agitator (#AGITATOREP08)
- Casters

* It is strongly recommended that the frame of the prefeeder be reinforced and/or additionally supported for elevator extensions of 54" or greater.



Product Specifications		ANSI	Metric
A	Overall Width	46.10"	1171mm
B	Overall Length	72.69"	1846mm
C	Lower Chassis Footprint	62.98"	1600mm
D	Dump Height (Adjustable)	48.90"	1242mm
E	Hopper Load Height (EP-10)	37.24"	946mm
E	Hopper Load Height (EP-20)	46.24"	1174mm
E	Hopper Load Height (EP-30)	55.24"	1403mm
F	Belt Width	12"	305mm
G	Discharge Chute Height	25.49"	648mm

Headquarters
13129 Airpark Drive
Suite 120
Elkwood, VA 22718
540.829.2564 t
800.368.3582 t
540.829.1726 f

Sales
1445 Brookville Way
Suite F
Indianapolis, IN 46239
317.322.0754 t
800.368.3582 t
317.322.0794 f

Manufacturing
291 Dillard Road
Madison Heights, VA
24572
434.929.4746 t
800.543.0915 t
434.929.4959 f

Shibuya Hoppmann Corporation strives to improve its products and reserves the right to change or discontinue specifications & designs shown in this brochure without notice and without incurring obligation. Revised: 03/13.