



Shown with optional stand,
motor and custom chute.

Product Overview:

The Shibuya Hoppmann EC-Series Bulk Product Conveyor can be used as a bulk conveying system or can be modified to accommodate a bulk hopper for any prefeeding need. This low cost conveyor uses formed edge product rails which are slotted to adjust the amount of clearance between the belt cleats and the side walls, rugged 3/8" thick belt cleats for heavy duty applications, and a product well at the base to prevent parts from falling. Conveyor speeds of over 60 feet per minute can be achieved, allowing for the movement of large quantities of parts.

Part Number	EC0812MDSA	EC0812MASA
Motor Style	DC	AC
Motor Voltage ¹	90V	230/460V
Horsepower	1/2hp	1/2hp
Total Equipment Weight ²	500 lbs.	227 kg

¹ Motor is optional.

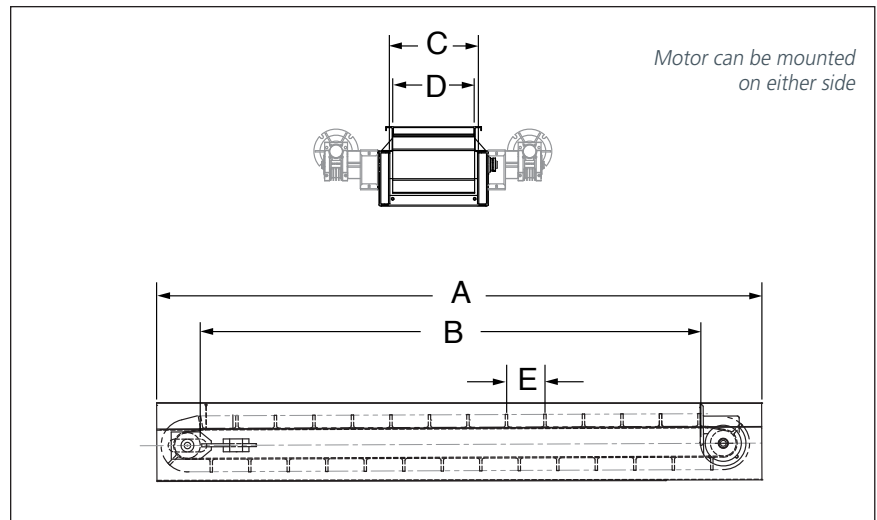
² Dependent upon length.

Standard Features:

- 304 stainless steel construction
- Four (4'0) foot through twelve (12') foot lengths available in 1 foot increments
- 4.00" diameter pulleys
- FDA/USDA white PVC belt with heavy duty 2" tall cleats
- Adjustable formed edge product rails
- Direct drive, side mount reducer (can be mounted on either side)

Available Options:

- DC/AC motors available in 90VDC, 115VAC, 230VAC and 460VAC
- Stainless steel support stand
- Washdown bearings
- Longer conveyor lengths
- Other cleat pitches available
- Custom chutes available



Product Specifications		ANSI	Metric
A	Overall Length of Channel	5' (60") – 13' (156") Long	1524mm – 3963mm Long
B	Pulley Center Distance	4' (48") – 12' (144") Long	1219mm – 3658mm Long
C	Channel (Bed) Width	16"	406mm
D	Belt Width	12"	305mm
E	Cleat Pitch (Standard)	12"	305mm

Headquarters
13129 Airpark Drive
Suite 120
Elkwood, VA 22718
540.829.2564 t
800.368.3582 t
540.829.1726 f

Sales
1445 Brookville Way
Suite F
Indianapolis, IN 46239
317.322.0754 t
800.368.3582 t
317.322.0794 f

Manufacturing
291 Dillard Road
Madison Heights, VA
24572
434.929.4746 t
800.543.0915 t
434.929.4959 f

Shibuya Hoppmann Corporation strives to improve its products and reserves the right to change or discontinue specifications & designs shown in this brochure without notice and without incurring obligation. Revised: 05/12.