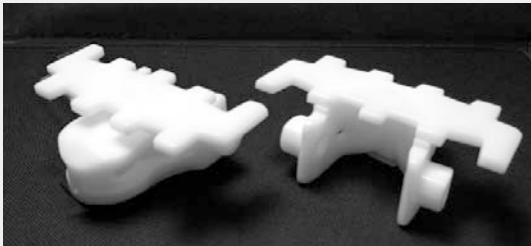
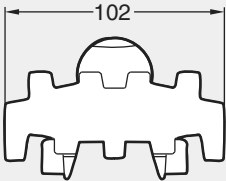
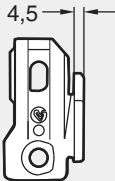


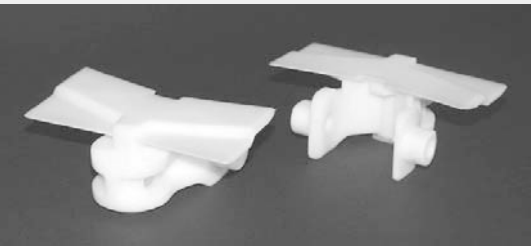
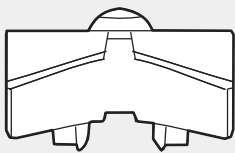
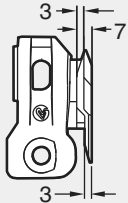
Conveyor system XK - links and chains

Each link kit contains 10 links, 10 plastic pivots, and 10 stainless steel pins, unless otherwise specified. Material abbreviations: see page 3.

Plain chain

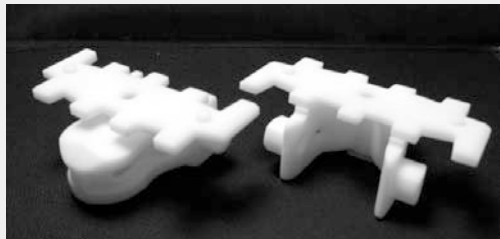
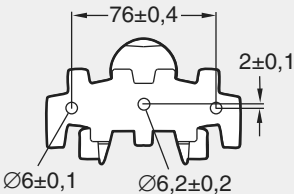
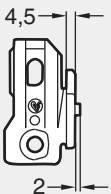
						
Chain	Link(s)	Link kit(s)	Dimensions	Link weight	Material, link	Material, pivot
XKTP 5	XKTL 102	5056639		57 g	POM B	See link
XKTP 5 C	n.a.	n.a.			POM B ultra wear resist	POM B

Closed-top chain

						
Chain	Link(s)	Link kit(s)	Dimensions	Link weight	Material, link	Material, pivot
XKTP 5 A	XKTL 102 A	5056641		60 g	POM B	See link

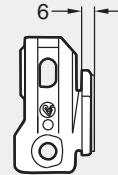
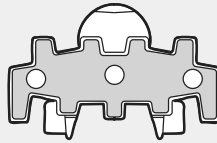
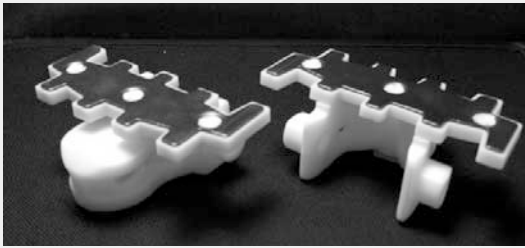
Plain chain, close-fitting, non-fingered design. Note: This chain is not a direct replacement for the standard XKTP 5 in all applications.

Universal chain

						
Chain	Link(s)	Link kit(s)	Dimensions	Link weight	Material, link	Material, pivot
XKTF 5 U...	XKTL 102 U	5056642		58 g	POM B	See link

To attach customer specific cleat or fixture.

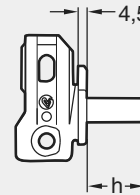
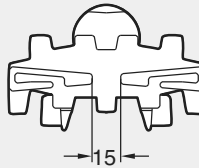
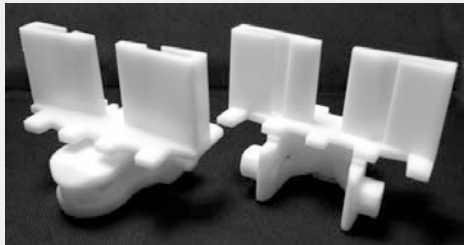
Steel top chain, fingered



Top surface is stainless steel. Cast-metal products. Accumulation.

Chain	Link(s)	Link kit(s)	Dimensions	Link weight	Material, link	Material, pivot
XKTP 5 TF	XKTL 102 TF	5056644		85 g	POM B + SS	POM B

Cleated chain



Cylindrical rollers.

Chain	Link(s)	Link kit(s)	Dimensions	Link weight	Material, link	Material, pivot
XKTF 5X15 A...	XKTL 102X15 A	5056645	h=15 mm	71 g	POM B	See link
XKTF 5X20 A...	XKTL 102X20 A	5056646	h=20 mm	75 g	POM B	See link
XKTF 5X30 A...	XKTL 102X30 A	5056647	h=30 mm	83 g	POM B	See link
XKTF 5X40 A...	XKTL 102X40 A	5056648	h=40 mm	90 g	POM B	See link