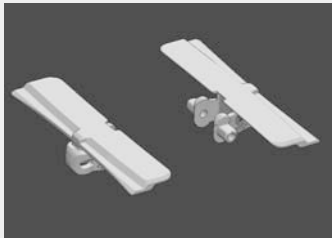
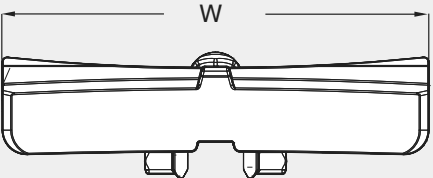
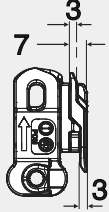



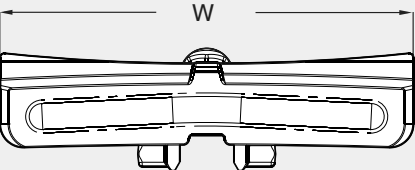
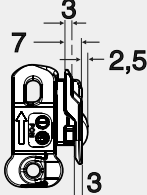
Conveyor system X300 - links and chains

Each link kit contains 10 links, 10 plastic pivots, and 10 stainless steel pins, unless otherwise specified. Material abbreviations: see page 3.

Plain chain

						
Chain	Link(s)	Link kit(s)	Dimensions	Link weight	Material, link	Material, pivot
XBTP 3A295	XBTL 295	5056652	W=295 mm	73 g	POM A	See link

Friction top chain

						
Friction insert is polyether-polyamide.						
Chain	Link(s)	Link kit(s)	Dimensions	Link weight	Material, link	Material, pivot
XBTP 3A295 F..	XBTL 295 F	5054874	W=295 mm	75 g	POM A	See link