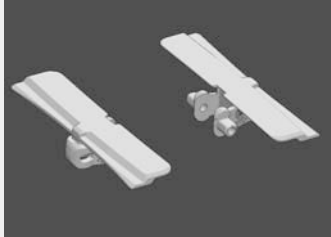
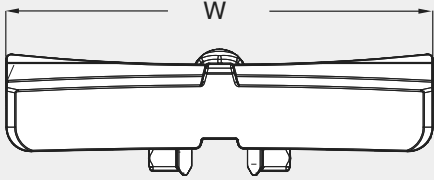
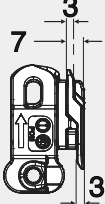


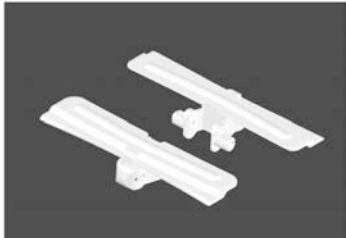
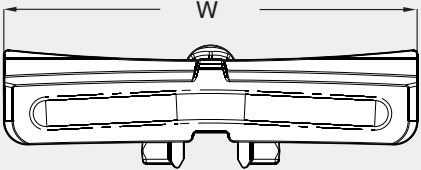
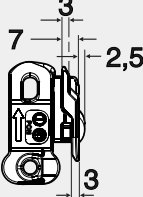
Conveyor system X180 - links and chains

Each link kit contains 10 links, 10 plastic pivots, and 10 stainless steel pins, unless otherwise specified. Material abbreviations: see page 3.

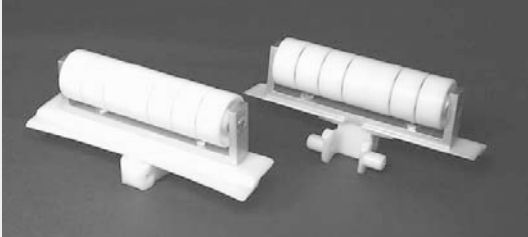
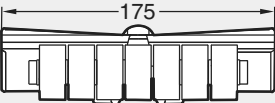
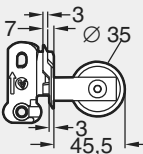
Plain chain

						
Chain	Link(s)	Link kit(s)	Dimensions	Link weight	Material, link	Material, pivot
XBTP 3A175	XBTL 175	5056651	W=175 mm	51 g	POM A	See link

Friction top chain

						
Friction insert is polyether-polyamide.						
Chain	Link(s)	Link kit(s)	Dimensions	Link weight	Material, link	Material, pivot
XBTP 3A175 F	XBTL 175 F	5056653	W=175 mm	52 g	POM A	See link

Roller cleat chain

						
Note. Can only be ordered as a link kit. Roller support items in steel and aluminium. Vertical transportation of cardboard boxes. Link kit 5056654: 1 link + pivot + steel pin.						
Chain	Link(s)	Link kit(s)	Dimensions	Link weight	Material, link	Material, pivot
See Note	XBTL 175X46 R	5056654		249 g	POM A	See link