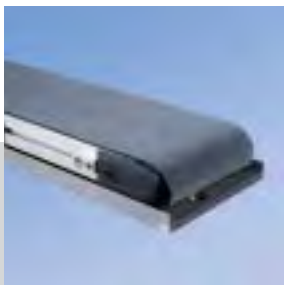
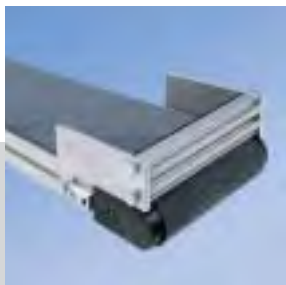
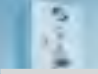
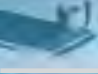




mk Accessories



Contents mk Accessories

	Electronic Accessories	284
	Sensor Brackets	285
	End Stops	286
	Drip Pan	287
	Application Examples	288



Accessories

Electronic Accessories

The integration of conveyor systems with existing equipment is becoming ever more complex. On request mk provides not only complete solutions from the control concept until handover at the customer, but also wiring on the terminal box, input/output modules or field bus system according to customer specification. Even if your electronic requirements are minimal, you can rely on a complete system of standard components.

Frequency Inverters for mk Conveyor Systems

mk frequency inverters can be purchased individually, or as an integral component of your conveyor system.

Frequency inverter for DC motors

Input: 230VAC, 50Hz
Range: 1:10; 1.5 - 15 m/min

E - Number	Name
ERE180DC/3A	Reglomat until 0,25 KW 180/200V DC
ERE180DC/3ARV	Reglomat with reversing option
ERE24DC/5A	Reglomat until 90W 24V DC

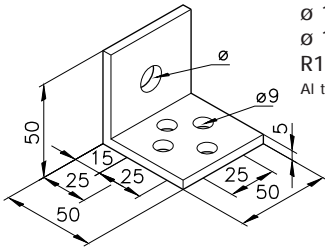
Frequency inverter for AC motors

Input: 230VAC, 50Hz
Range: 1:7
Reversing option available
3 digital inputs, e.g. for external release, switch-over between fixed parametrizable frequencies, connection of a light barrier etc.
1 analog input 0V to +10V DC
1 digital output 24V DC / 50mA

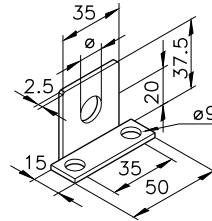
E - Number	Name
ERE230AC/0.25	Reglomat until 0,18 KW Motor power
ERE230AC/0.25RV	Reglomat with reversing option
ERE230AC/0.37	Reglomat until 0,25 KW Motor power
ERE230AC/0.37RV	Reglomat with reversing option
ERE230AC/0.55	Reglomat until 0,37 KW Motor power
ERE230AC/0.55RV	Reglomat with reversing option
ERE230AC/0.75	Reglomat until 0,55 KW Motor power
ERE230AC/0.75RV	Reglomat with reversing option

Note: Due to different voltage requirements, the controllers described here are not available in North America.

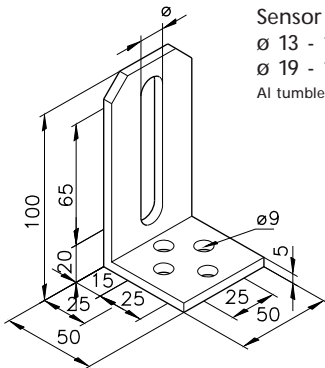
Sensor Brackets



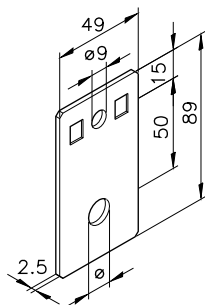
Sensor Bracket A
 ø 13 - 16.00.0000
 ø 19 - 16.00.0001
 R1/4" - 16.05.0011
 Al tumbled



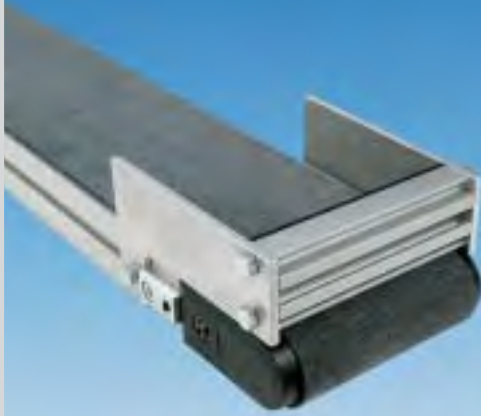
Sensor Bracket E
 ø 9 - 16.00.0026
 ø 13 - 16.00.0027
 ø 19 - 16.00.0028
 Steel, ZN



Sensor Bracket B
 ø 13 - 16.00.0006
 ø 19 - 16.00.0007
 Al tumbled



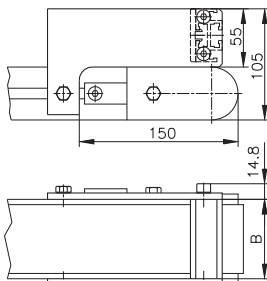
Sensor Bracket C
 ø 9 - 16.00.0011
 ø 13 - 16.00.0012
 ø 19 - 16.00.0013
 Steel, ZN



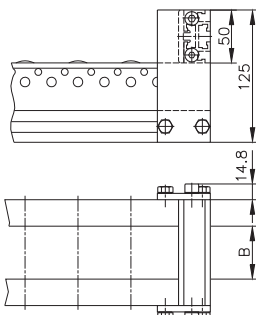
Accessories

End Stops

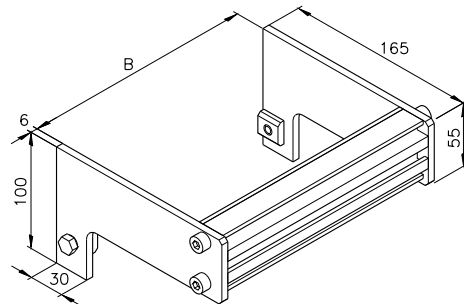
Processes often require that products be stopped or accumulated, especially on belt and roller conveyors. For this reason, mk offers End Stop SBP1. It is easily installed using the available conveyor frame T-slots. A notable feature of this stop is the included wear strip, which prevents product damage.



Belt Conveyor GUF-P 2000

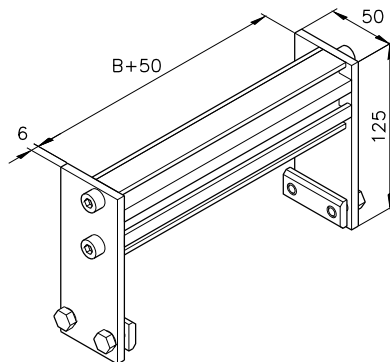


Roller Conveyors 2066



End Stop GUP2000
B66.00.004

incl. mounting hardware



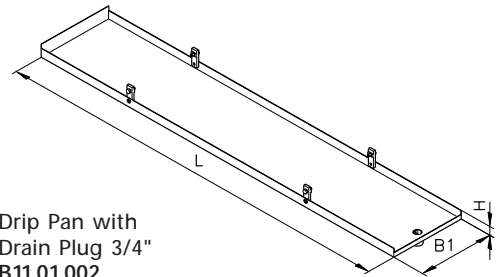
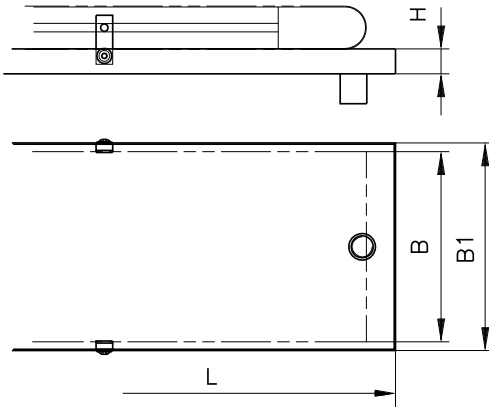
End Stop Roller Conveyor
B66.00.003

incl. mounting hardware



Drip Pan

Made of Stainless Steel, the drip pan can be fit to the requested height, width and length of the conveyor system. It is supplied standard with a 3/4" drain plug. Special configurations which take into consideration framing or other obstructions can be supplied as well.



Drip Pan with
 Drain Plug 3/4"
B11.01.002

Stainless Steel
 Holder Al tumbled

Accessories

Application Examples



Safety switch





Sensor Brackets with reflector



Sensor Brackets

