



TITAN INDUSTRIES
735 INDUSTRIAL LOOP ROAD
NEW LONDON WI 54961
920-982-6600
800-558-3616 OUTSIDE WI
920-982-7750 FAX
E-MAIL: sales@titanconveyors.com
Website: www.titanconveyors.com

MODEL 200
Power Turntable

**INSTALLATION, MAINTENANCE AND
PARTS MANUAL**

For additional copies of this manual,
please visit our website at
www.titanconveyors.com.

Go to Replacement Parts/Accessories
and select Maintenance Manuals. You can then
select the manual for your model conveyor.

SERIAL NO.



(A) Seller warrants that the material in and the workmanship on the equipment manufactured by TITAN will be free from defects at time of shipment. If during the first year from the date of shipment, the Buyer establishes to the seller's satisfaction that any part or parts manufactured by TITAN were defective at the time of shipment, TITAN will, at its own expense, repair or replace (but not install) replacement parts. For a time purpose of this warranty, one year will constitute 2080 hours of operation based on an 8 hour day. Sellers liability under this warranty is limited to replacement parts only and the seller will make no allowance for corrective work done unless agreed to by the seller in writing. Charges for correction of defects by others will not be acceptable, unless so authorized in writing, prior to the work being performed, by an officer of the company. Damage caused by deterioration due to extraordinary wear and tear (including, but not in limitation, use said equipment to handle products of a size, weight and shape or at speeds or methods which differ from information originally provided), chemical action, wear caused by the presence of abrasive materials or by improper maintenance or lubrication or improper storage prior to installation, shall not constitute defects. Failure to install equipment properly shall not constitute defects. Warranty does not cover consumable items. Warranty does not cover belt tracking or adjustment at installation or periodic adjustment that may be required during normal operation. Refer to the maintenance manual for belt tracking instructions.

(B) Seller has made no representation, warranties, or guarantees, expressed or implied, not expressly set forth on above paragraph. Seller shall not be liable hereunder for any consequential damages included but not in limitation, damages which may arise from loss of anticipated profits or production or from increased cost of operation or spoilage of material.

(C) The components used in manufacture of said equipment which were manufactured by others will carry such manufacturers' customary warranty, which seller will obtain for buyer upon request.

(D) No representative of TITAN has been conferred with any authority to waive, alter, vary or add to the terms of warranty state herein, without prior authorization in writing executed by an officer of the company.

(E) The foregoing is in lieu of any and all other warranties, expressed or implied, or those extending beyond the description of the product.

TITAN MODEL 200 MANUAL

Table of Contents

Page 2	Warranty
Page 3 Table of Contents/Return Goods Authorization Policy	
Page 4	Safety/Safety Decals
Page 5	Introduction
		I. Receiving
		II. Installation
		Support Assembly
Page 6	Component Checklist
		III. Maintenance
		Motors
Page 7	Reducers
Page 9	Bearings
		Chain & Sprockets
Page 10	Model 200 Blow Apart Drawing

Return Goods Authorization Policy

Titan Industries has a **RETURN GOODS AUTHORIZATION** Procedure for **all** returned items. With this procedure, we are able to streamline our process and expedite your return.

This will require you to call a Titan salesperson prior to your sending back the item to get a RGA number and receive instructions on how to return the item. Other information needed at this time would be your original purchase order number, Titan serial number, job number or invoice number. This will give our salesperson the pertinent information needed for tracking your part or component. After receiving your RGA number, you will have ten working days to return the item to us for processing. All returned goods must have this RGA number clearly marked on the outside of the box or crate and all paperwork pertaining to the return. Any return without a RGA number, will be refused and returned to you at your cost. Anytime you want to inquire about your return, please reference the Titan RGA number.

Safety

The Safety alert symbol is used with the signal words

 **DANGER**,  **WARNING** and  **CAUTION** to alert you to safety messages.

They are used in safety decals on the unit and with proper operation and procedures in this manual. They alert you to the existence and relative degree of hazards.

Understand the safety message. It contains important information about personal safety on or near the conveyor.



POTENTIALLY HAZARDOUS SITUATION which if not avoided, could result in death or serious injury.



POTENTIALLY HAZARDOUS SITUATION which if not avoided, may result in minor or moderate injury. It may also be used to alert against unsafe practices.



POTENTIALLY DESTRUCTIVE SITUATION which if not avoided, may result in damage or reduce the longevity of the equipment.

Safety Decals

ALWAYS replace missing or damaged Safety Decals.

Operational Safety



Keep Hands, feet, hair and loose clothing **away** when conveyor is running



NEVER climb, sit, walk or ride on conveyor



ALWAYS lock out power before servicing to avoid electrical shock.



ALWAYS keep hair and loose clothing away.



ALWAYS keep hands away from conveyor while moving.



Never run conveyor without guards in place.

INTRODUCTION

The management and employees of Titan Industries thank you for specifying Titan equipment. This manual will give you the basic information to install and maintain your equipment. If special circumstances or questions come up call Titan at 920-982-6600.

I. RECEIVING



Upon delivery of your Titan conveyor, check the packing slip or bill of lading accompanying the unit. If any components are missing, contact Titan IMMEDIATELY with a description of the missing components along with the conveyor serial number(s). The serial number is found on the serial plate normally positioned by the drive.

Check the unit(s) over carefully upon arrival for damage. If you find any damage note it on the bill of lading. **YOU MUST** also file a claim **IMMEDIATELY** with the carrier.



II. INSTALLATION



WEAR SAFETY GLASSES, SAFETY SHOES, AND GLOVES.



HAVE AREA AROUND INSTALLATION SITE CLEARED OF DEBRIS.



LOCKOUT POWER TO CONVEYOR(S) UNTIL START-UP.



LOOK OUT FOR SHARP EDGES WHILE HANDLING CONVEYOR COMPONENTS.



BE CAREFUL IN AND AROUND THE CONVEYOR(S) DURING INSTALLATION. ALSO, BE AWARE OF OTHERS IN THE AREA.



ONLY ALLOW QUALIFIED PERSONNEL TO ASSEMBLE AND INSTALL CONVEYORS.

SUPPORT ASSEMBLY

Standard supports are always shipped assembled. See FIGURE 1 for a component breakdown.

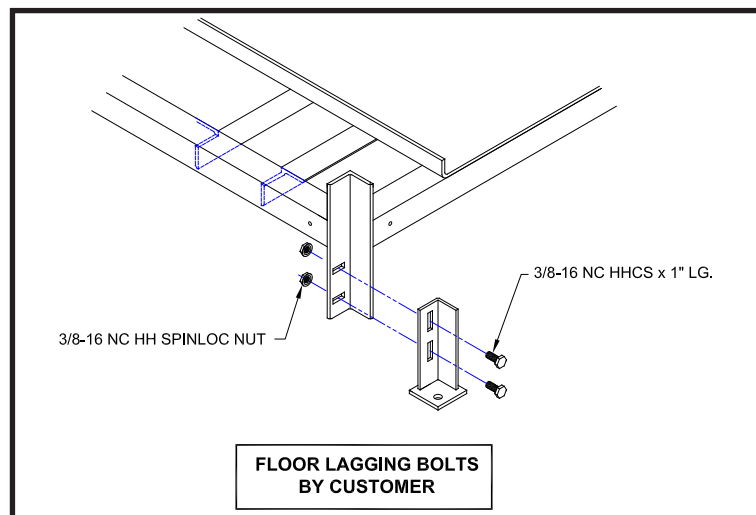


FIGURE 1



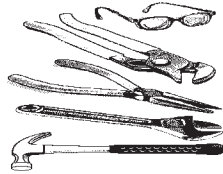
IN ORDER FOR THE CONVEYOR TO BE STABLE, THE SUPPORTS MUST BE LAGGED TO THE FLOOR OR SUPPORT STRUCTURE. THIS IS THE CUSTOMER RESPONSIBILITY!!

COMPONENT CHECKLIST

Prior to start up use the following list to double check the conveyor components.

- ✓ **MOTOR** Have a qualified electrician ensure the motor is wired correctly for your power source. Check that motor is securely fastened to the reducer or motorbase.
- ✓ **REDUCER** Check that the proper amount of oil is in the reducer.* ***Make sure a vent plug is installed on the reducer.**** (A solid plug is usually installed for shipping.)See FIGURE 10.
- ✓ **BEARINGS** Double check that bearings are fastened securely. Be sure that locking collars are tightened and set screws are secured firmly to the shaft.
- ✓ **GENERAL** Check that sprockets with chain and/or sheaves with V-belt are aligned and properly tensioned.*

**Additional information available in section III Maintenance.*



III. MAINTENANCE

MOTORS

1. **CLEANING** - All motors should be kept free of dirt and grease accumulations. Open motors should be periodically vacuumed to remove dust and dirt from the windings.
2. **VENTILATION** - For best results motors should be operated in an area where adequate ventilation is available.
3. **TEMPERATURE** - Most of today's smooth body T.E.N.V. and T.E.F.C. Motors run hot to the touch. As long as maximum ambient temperatures are not exceeded, and more importantly, ampere draw is within the allowable range, there should be no need to worry. (Both of these limits are found on the motor nameplate.)
4. **LUBRICATION** - Most electric motors are lubricated for life and under normal conditions require no more lubrication. Under severe conditions where additional lubrication is required, use the following chart as a guide.



THE FOLLOWING CHART IS BASED ON MOTORS WITH GREASE LUBRICATED BEARINGS, RUNNING AT SPEEDS OF 1750 R.P.M. OR LESS, AND OPERATING WITHIN AN AMBIENT TEMPERATURE RANGE OF BETWEEN 0 DEGREES F. TO 120 DEGREES F.

CONDITION	LUBRICATING FREQUENCY
Normal 8 hr. day Light Loads	2 to 3 years
Heavy 24 hr. Day Heavy Loads Dirty Conditions	1 Year
Extreme Shock Loads High Temperatures	3 to 6 Months

Typical lubricants that can be used:

Chevron Oil Co. - SRI#2
Shell Oil Co. - Alvania #2, Dolium R
Texaco Inc. - Premium RB

Gulf Refining Co. - Precision #2 or #3
Mobile Oil Co. - Mobilux Grease #2
Sinclair Refining Co. - A.F.#2

REDUCERS

The following reducer information is concerned primarily with wormgear reducers. If your conveyor is equipped with another type, refer to the manufacturer's recommendations for installation and maintenance sent along at time of shipment.

1. **ASSEMBLE / DISASSEMBLE MOTOR TO REDUCER** - Because many of today's motor keyways are cut with a sidemill cutter, the following assembly instructions should be followed to insure a trouble-free fit between motor and reducer. First, place the key into the reducer keyway. Second, line up the motor keyseat with the key and push the motor shaft into the reducer bore. Third, finish assembly by bolting the motor to the reducer flange. This procedure should insure that the key does not slide back in the motor keyseat. See FIGURE 2.

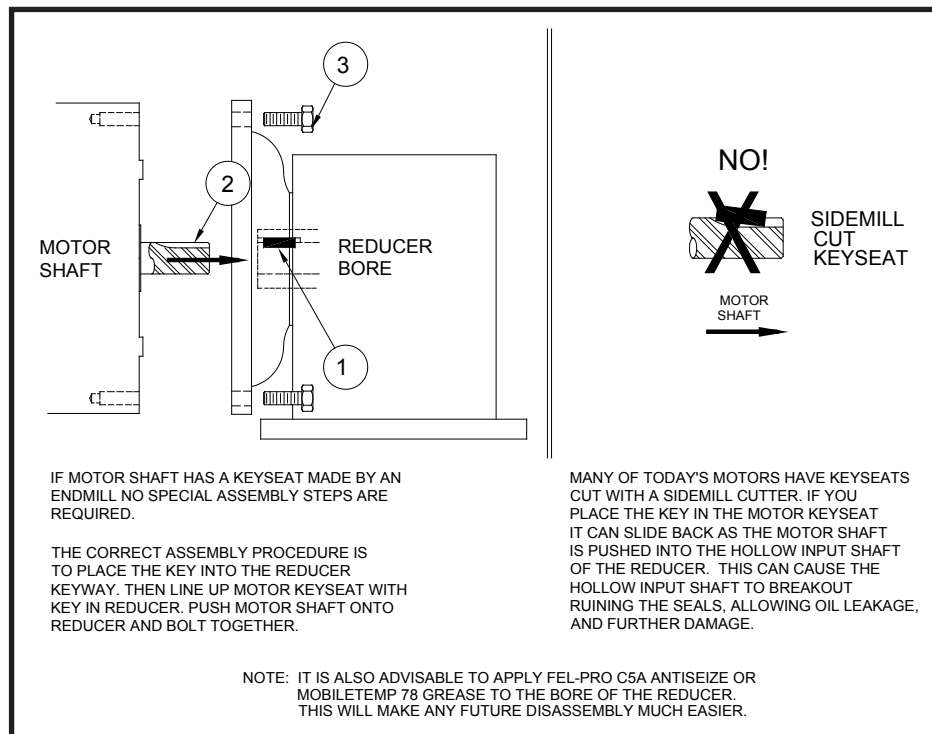


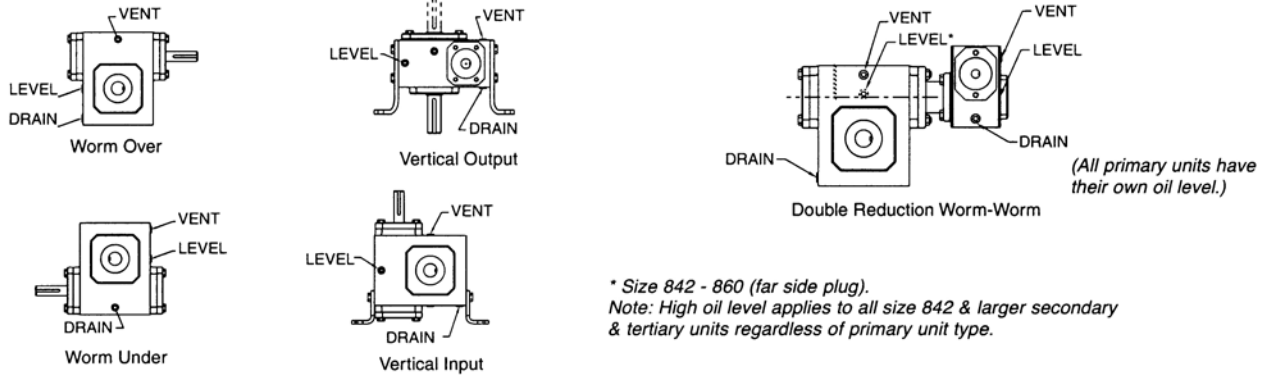
FIGURE 2

2. **VENTILATION** - During normal operation gear reducers build up heat and pressure that **MUST** be vented to protect the seals and gears. If not installed at Titan, a brass vent plug contained in a small plastic bag, will be put in a box or larger bag along with fasteners sent loose for use during field installation. Remove the top most drain plug (refer to FIGURE 3) for the position of your reducer) and install the vent plug securely in place.
3. **CLEANING** - After approximately two to three weeks of operation the reducer **MUST** be drained, flushed out, and refilled to the proper level with fresh oil. (This is done to remove brass particles caused during the normal wear-in period of the worm gear.) Afterwards, the oil should be changed in your reducer every 2500 hours or ever 6 months, which ever occurs first.



WHERE HIGH TEMPERATURES AND/OR DIRTY ATMOSPHERE EXISTS MORE FREQUENT CHANGES MAY BE NECESSARY. PERIODICALLY CHECK REDUCER TO ENSURE THAT THE PROPER LEVEL OF OIL IS IN THE REDUCER. TOO LITTLE OIL WILL CAUSE ACCELERATED WEAR ON THE GEARS. TOO MUCH OIL CAN CAUSE OVERHEATING, SEAL DETERIORATION, AND LEAKAGE.

Standard Gear Reducer Mounting Positions & Vent Plug, Level and Drain Locations



Oil Capacities (ounces) - Standard Units

Mounting Position	UNIT SIZE													
	813	815	818	821	824	826	830	832	842	852	860	870*	880*	8100*
1 - Worm Over	4	12	12	20	24	40	56	72	112	188	312	35	48	72
2 - Worm Under	8	16	20	28	40	60	84	108	152	304	328	32-3/4	51-1/4	80

* Shipped Dry

16 Oz. = 1 pint
 2 pints = 1 quart
 4 quarts = 1 gallon
 1 gallon = 128 oz. = 231 Cu. in.

FIGURE 3

- LUBRICATION** - The precision - made gears and bearings in our reducers require high-grade lubricants of the proper viscosity to maintain trouble-free performance. All standard reducers ordered from the factory are filled with ISO viscosity grade **Mobil Glygoyle 460 polyalkalene glycol (PAG)** lubricant. If oil needs to be added or changed, ONLY compatible polyglycol lubricants should be used. Contact the factory for more information.
- TEMPERATURE** - Most Titan Units are supplied with wormgear reducers. These units may run at temperatures between 100 degrees to 200 degrees F. (Higher temperatures are especially common during start up). There is NO NEED TO WORRY unless temperatures exceed 200 degrees F.
- GENERAL MAINTENANCE** - Regular inspection to insure the reducer bolts and screws are tight, correct alignment of shaft and/or coupling, no major oil leaks, no excessive heating and no unusual vibration or noise will insure maximum life and performance of the reducer.

FIGURE 2

BEARINGS

1. **LUBRICATION** - Bearings used on Titan Conveyors are normally pre-lubed for life. If customer requested, re-lube bearings are provided, the use of a #2 consistency lithium based grease is advised.

Greasing Frequency should be as many times as necessary to maintain a small film of grease leaking at the seals. This will protect against foreign materials entering the bearing. The following list is provided to aid you in acquiring the proper grease or an equivalent.

NORMAL DUTY	HEAVY DUTY
Texaco - Multifak #2	Sun - Prestige 742EP
Mobile - Mobilux #2	Exxon - Lidok #2EP
Amoco - Lithium MP	Arco - Litholene HEP2
Shell - Alvania #2	Shell - Alvania #2EP

2. **REPLACEMENT** - If replacement of bearings become necessary remember to clean off the shaft, file smooth grooves or set screw marks, and oil the shaft before slipping on the new bearing.



IF BEARING DOES NOT SLIDE ON EASILY, USE A SOFT METAL BAR TO TAP AGAINST THE INNER RACE TO ASSEMBLE.

3. **GENERAL** - Set up a weekly check on all bearings to ensure they remain tightly bolted down, set screws remain fastened securely and are properly lubricated.

CHAIN & SPROCKETS

For longest chain life a constant film of oil is recommended. We recommend a good quality non-detergent petroleum base oil. Use the chart below



SHUT OFF CONVEYOR BEFORE USING OIL CAN OR BRUSH TO APPLY OIL!

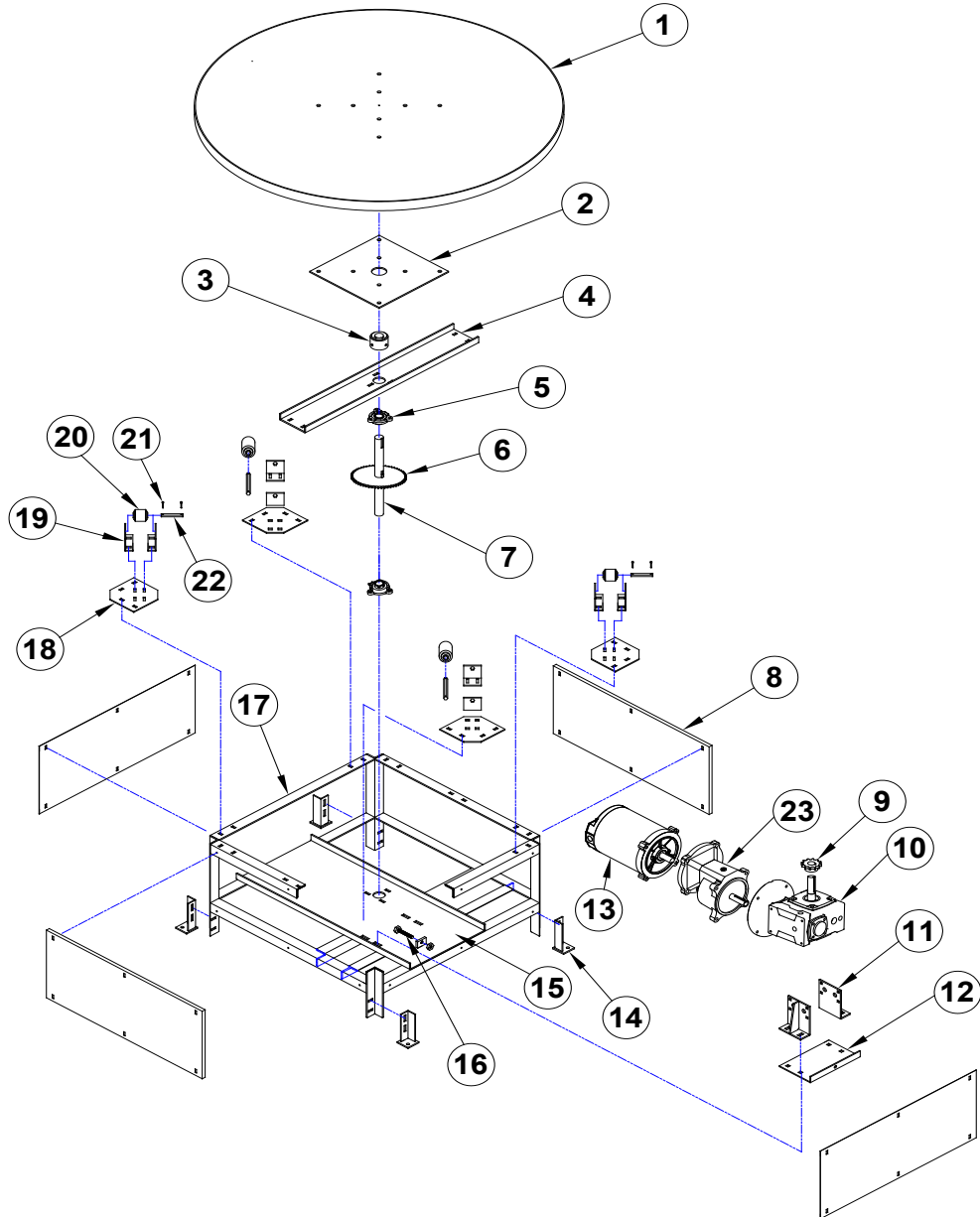
TEMPERATURE	RECOMMENDED OIL VISCOSITY
20 degrees - 40 degrees F	SAE 20
40 degrees - 100 degrees F	SAE 30
100 degrees - 120 degrees F	SAE 40
120 degrees - 140 degrees F	SAE 50



REMEMBER - ALL GUARDS AND BOTTOM PANS, IF PROVIDED, MUST BE REPLACED BEFORE RUNNING CONVEYOR. TITAN INDUSTRIES IS NOT RESPONSIBLE FOR INJURIES CAUSED BY NOT COMPLYING WITH SAFETY INSTRUCTIONS.

TITAN™ CONVEYORS

MODEL 200 TURNTABLE



- | | |
|------------------------------|---------------------------------|
| 1. TURNTABLE | 12. REDUCER PUSHER PLATE |
| 2. HUB PLATE | 13. MOTOR |
| 3. TURNTABLE HUB | 14. LOWER SUPPORT |
| 4. UPPER BEARING PLATE | 15. MOTOR BASE |
| 5. 3 BOLT BEARING | 16. PUSHER BOLT |
| 6. DRIVE SHAFT | 17. FRAME |
| 7. DRIVEN SPROCKET | 18. TURNTABLE TOP ROLLER PLATE |
| 8. SIDE GUARD | 19. ROLLER BRACKET |
| 9. DRIVE SPROCKET | 20. TABLE TOP ROLLER |
| 10. REDUCER | 21. COTTER PIN |
| 11. REDUCER MOUNTING BRACKET | 22. HEX SHAFT |
| | 23. RATIO MULTIPLIER (OPTIONAL) |

TITAN INDUSTRIES
735 INDUSTRIAL LOOP ROAD
NEW LONDON WI 54961

920-982-6600

800-558-3616 Toll Free

920-982-7750 FAX

E-MAIL: sales@titanconveyors.com

Website: www.titanconveyors.com

**Contact Your Distributor or Titan Directly
for Further Information on Other Titan Conveyor Products**

- ***Slider Bed Conveyors***
- ***Floor to Floor Belt Conveyors***
- ***Parts Conveyors***
- ***Gravity Roller Conveyors***
- ***Line Shaft Conveyors***
- ***Chain Driven Live Roller Conveyors***
- ***Belt Driven Live Roller Conveyors***
- ***Zone Accumulation & Special Applications***
- ***Hinged Steel Belt Conveyors***
- ***Slat Conveyors***
- ***Wire Mesh Conveyors***
- ***Multi-Strand Conveyors***
- ***Solid Waste Belt Conveyors***
- ***Bulk Handling Conveyors***
- ***Special Projects***