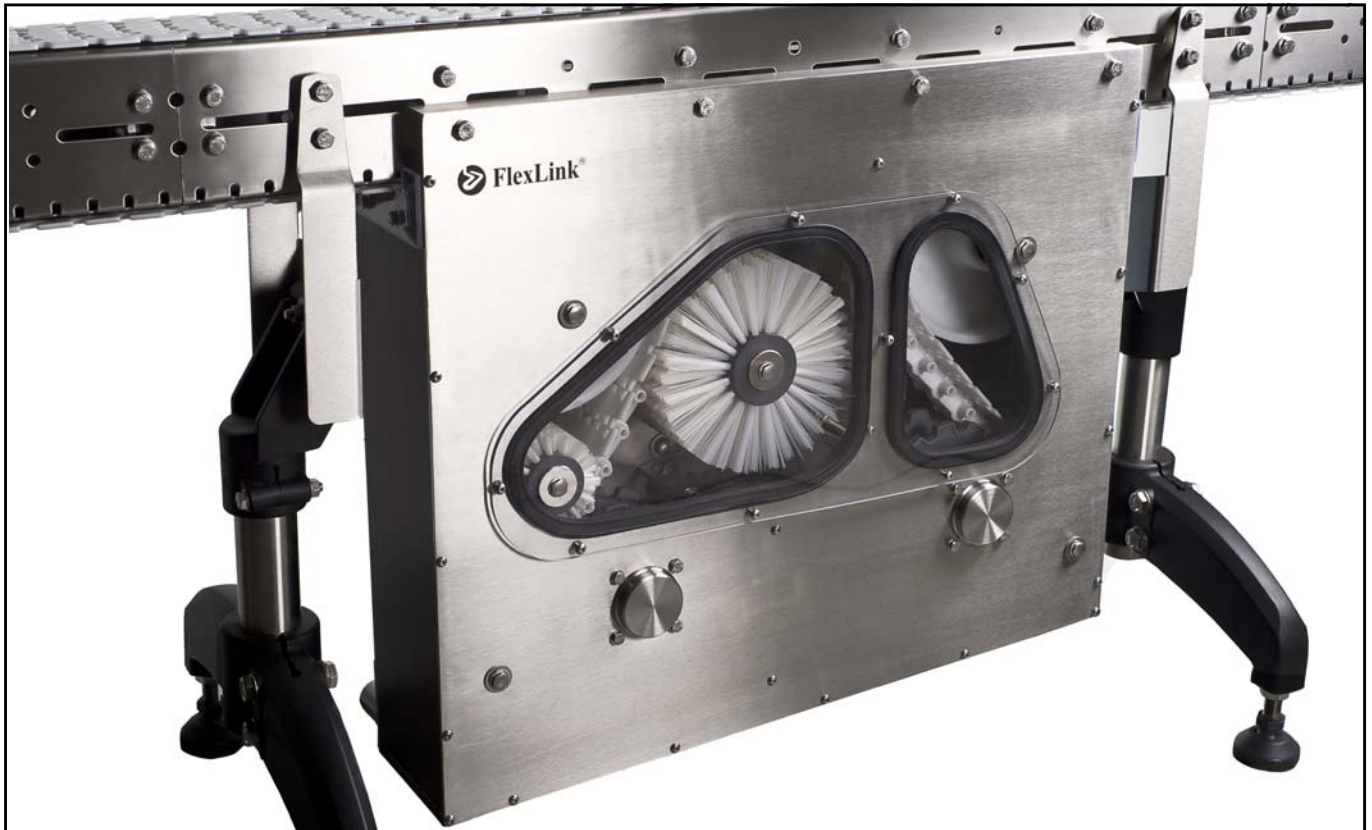


Inline chain washer and dryer unit



The chain washing unit is designed to run continuously when working with production lines that have a high degree of product spillage. The result is a cleaner and dryer chain that allows longer production runs without the need for CIP or routine maintenance.

The chain cleaner prevents product build up on the chain and allows continuous fault free running of the line with the need to stop the conveyor and remove the chain to clean by hand.

Supplied as a complete unit the washer/dryer can quickly be integrated into new conveyor lines or upgraded to existing conveyor lines in order to improve performance and reliability.

Standard features

- **Robust** – the system is robust and designed to operate within harsh environment where spillages on the conveyor are highly likely.
- **Compact** – the unit will take up the smallest footprint possible.
- **Clean** – clean design with sloping faces and minimum areas for fluid or dirt to build up.
- **Safe** – fully guarded design.
- **Simple installation** – mount to conveyors using standard fittings.

System information

The washer/dryer unit is available for aluminium conveyor systems XS, XL, X85, XH and XK, and stainless systems XLX and X85X.

Technical specification

Minimum top of chain height 700 mm
Maximum conveyor length 3 m
Maximum conveyor speed 50 m/min

Operating requirements

Water supply

Connection of water/cleaning system is made by G 1/2" internal thread connection. Max/Min flow rate required is 11–13,5 l/min.

Air attachment

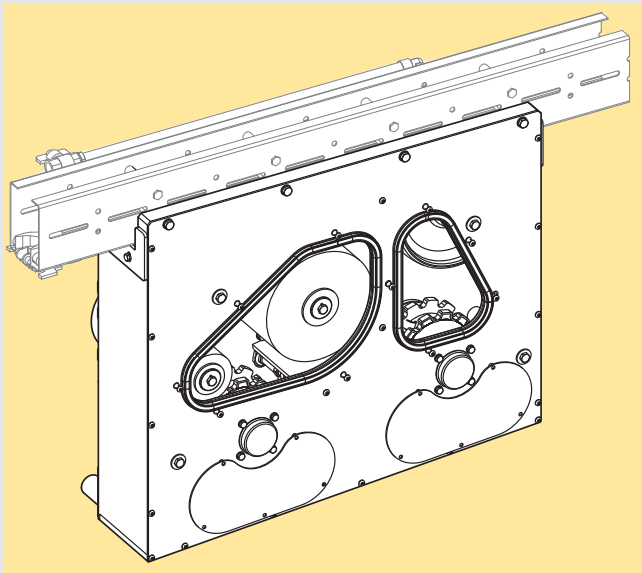
Connection of air system is made by G 1/2" internal thread connection. Air system requirements 6 Bar with a flow rate of 200 m³/h.

Drainage/ Drying Vacuum

Vacuum attachment is made by Ø32 hose connection. Vacuum requirements are 23,5 kPa minimum with a vacuum of 2x56 l/second.

Chain washer and dryer unit

Chain washer and dryer unit



Chain washer and dryer unit	
Conveyor system XS	8042679
Conveyor system XL	8042663
Conveyor system XLX	8042664
Conveyor system X85	8042665
Conveyor system X85X	8042666
Conveyor system XH	8042667
Conveyor system XK	8042668

Note. 1 m long beam section

Spare parts

Air nozzle large	8043200
Air nozzle small	8042711
Spray nozzle	8042716
Brush Ø80	8042673
Brush Ø180	8042672

Note!
The chain washing unit cannot be used with an enclosed or guided type of conveyor drive unit.