



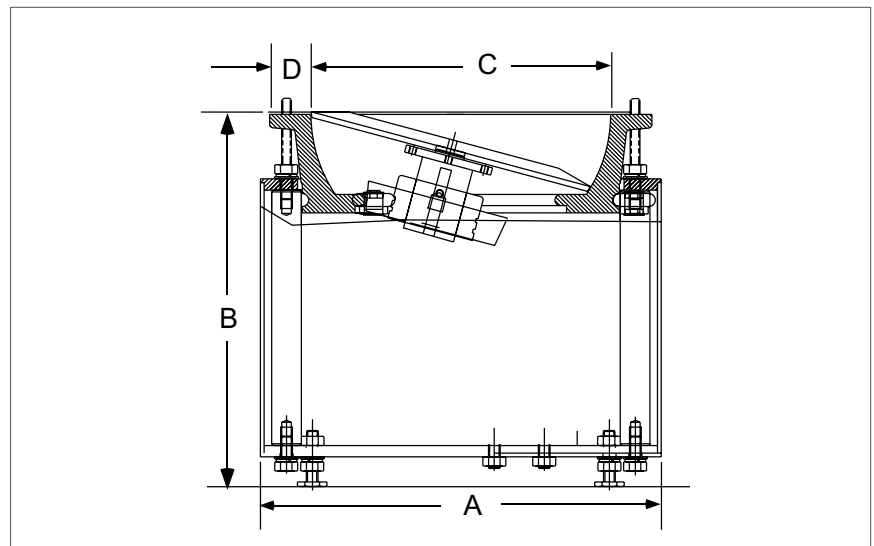
Product Overview:

The FT-10-RD centrifugal feeder meets the stringent demands of pharmaceutical, cosmetic and electronics feeding applications. This feeder is ideally suited for small parts with a high degree of precision. The delivery rate varies from moderate to high speeds depending on part characteristics. The FT-10-RD is engineered to interface with prefeeders, accumulating conveyors, labelers and assembly equipment.

Part Number	FT101RLDSA	FT101RLASA
Motor Style	DC	AC
Motor Voltage	180V	220V
Horsepower	1/5hp	1/5hp
Total Equipment Weight	125 lbs.	57 kg

Standard Features:

- All stainless steel exterior construction
- Unique single drive system
- Variable rim speed control
- Polyurethane bowl
- Delrin center disc



Product Specifications		ANSI	Metric
A	Frame Width and Length	13.5" x 15.5"	343 x 394mm
B	Overall Height/Discharge Height	14.5" ± 1"	358 ± 25mm
C	Inside Bowl Diameter	10"	254mm
D	Bowl Rim Width	1.50"	38.1mm

Headquarters
13129 Airpark Drive
Suite 120
Elkwood, VA 22718
540.829.2564 t
800.368.3582 t
540.829.1726 f

Sales
1445 Brookville Way
Suite F
Indianapolis, IN 46239
317.322.0754 t
800.368.3582 t
317.322.0794 f

Manufacturing
291 Dillard Road
Madison Heights, VA
24572
434.929.4746 t
800.543.0915 t
434.929.4959 f

Shibuya Hoppmann Corporation strives to improve its products and reserves the right to change or discontinue specifications & designs shown in this brochure without notice and without incurring obligation. Revised: 05/12.