



Product Overview:

Shibuya Hoppmann's standard LB-01 overhead prefeeder is specially designed to handle small parts and is engineered to interface directly with smaller style parts feeders. A variable speed motor drives the belt at a speed of 23.00 inches per minute. Note: Controllers are not supplied with this unit.

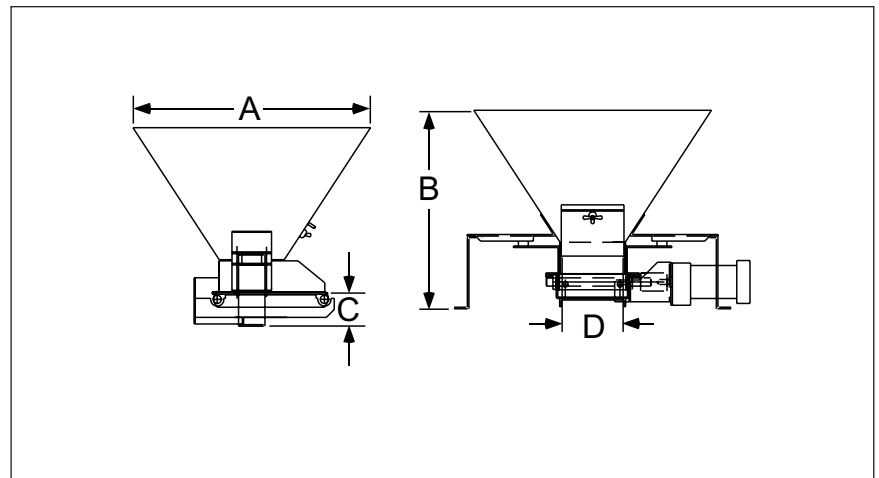
Part Number	LB01XXXDSA
Motor Style	DC
Motor Voltage	90V
Horsepower	1/30hp
Total Equipment Weight	35 lbs. / 16 kg
Hopper Capacity	1 ft ³ / 28.32 liters

Standard Features:

- Stainless steel construction
- Durable reinforced black neoprene belt with fiberglass cord
- Feeder mounting brackets

Available Options:

- Continuous welded seams
- Hopper covers
- Tan neoprene USDA/FDA dry contact food belt with fiberglass cord (Food Grade Unit: LB01XXXDFA)
- NEMA 1 encased controller



Product Specifications		ANSI	Metric
A	Hopper Width and Length	18" x 18"	457 x 457mm
B	Overall Height	15.25"	387mm
C	Discharge Height	2" ± 1"	51mm ± 25mm
D	Belt Width	5"	127mm

Headquarters
13129 Airpark Drive
Suite 120
Elkwood, VA 22718
540.829.2564 t
800.368.3582 t
540.829.1726 f

Sales
1445 Brookville Way
Suite F
Indianapolis, IN 46239
317.322.0754 t
800.368.3582 t
317.322.0794 f

Manufacturing
291 Dillard Road
Madison Heights, VA
24572
434.929.4746 t
800.543.0915 t
434.929.4959 f

Shibuya Hoppmann Corporation strives to improve its products and reserves the right to change or discontinue specifications & designs shown in this brochure without notice and without incurring obligation. Revised: 05/12.