



Product Overview:

The L3500PA redefines the economics of printer applicators. Available with multiple printer options and a variety of application choices including tamp-on, blow-on and wipe-on, the L3500PA provides you with flexibility to meet all your labeling needs. The robust construction protects key components from the rigors of industrial use. Label speeds are determined by the print engine manufacturer.

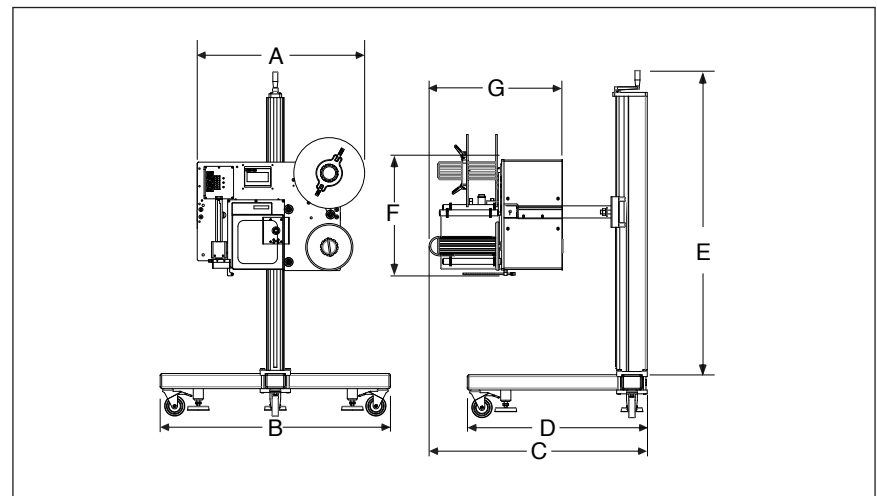
Standard Features:

- No tool label roll changeover
- Rugged construction: solid aluminum front plate, 1" x 2" solid steel U-Arm
- Standard 12" (305mm) label supply roll
- HMI touchscreen interface
- Stainless steel and black anodized construction
- Multi-language menu display
- Accommodates Tamp-On, Blow-On and Wipe-On

Available Upgrades:

- Tamp-On, Blow-On, Tamp-Blow and Corner-Wrap modules
- Soft-Tamp module detects product locations
- Extended length tamp modules (up to 24")
- Remote operator panel
- Horizontal positioning device
- Label low level sensor & beacon fault upgrades
- Adjustable stands and machine mount supports
- Auxiliary air valve for add-on modules or for product handling pneumatics
- Optional 18" (457mm) supply roll upgrade
- Powered unwind and rewind spools

Accuracy	± 0.032" (± 0.81mm)
Controls	PLC based control, HMI Touchscreen Interface
Unwind Roll Diameter	12" (305mm) OD x 3" (76mm) ID
Product Detection	Photo Eye
Machine Interface	External Sub D Connectors
Air Requirements	80 psi @ 2.2 CFM
Power Requirements	115 or 220 VAC, 50/60 Hz, 6 Amps
Environment	41-104°F (5-40°C), 25-85% relative humidity



Product Specifications		ANSI	Metric
A	Applicator Width	30.38"	772mm
B	Overall Width	45.50"	1156mm
C	Overall Depth	38.4"	976mm
D	Frame Depth	34.25"	870mm
E	Stand Height	62.52"	1588mm
F	Applicator Height	24.15"	613mm
G	Applicator Depth	21.45"	545mm

Headquarters
13129 Airpark Drive
Suite 120
Elkwood, VA 22718
540.829.2564 t
800.368.3582 t
540.829.1726 f

Sales
1445 Brookville Way
Suite F
Indianapolis, IN 46239
317.322.0754 t
800.368.3582 t
317.322.0794 f

Manufacturing
291 Dillard Road
Madison Heights, VA
24572
434.929.4746 t
800.543.0915 t
434.929.4959 f

Shibuya Hoppmann Corporation strives to improve its products and reserves the right to change or discontinue specifications & designs shown in this brochure without notice and without incurring obligation. Revised: 05/12.