



Product Overview:

Shibuya Hoppmann's standard FT-30 rigid disc centrifugal feeder is designed to feed a variety of products with its unique bowl design. Product is metered into the bowl and brought out to the bowl rim where a series of qualifiers gently orient the part for transfer to various downstream inline devices.

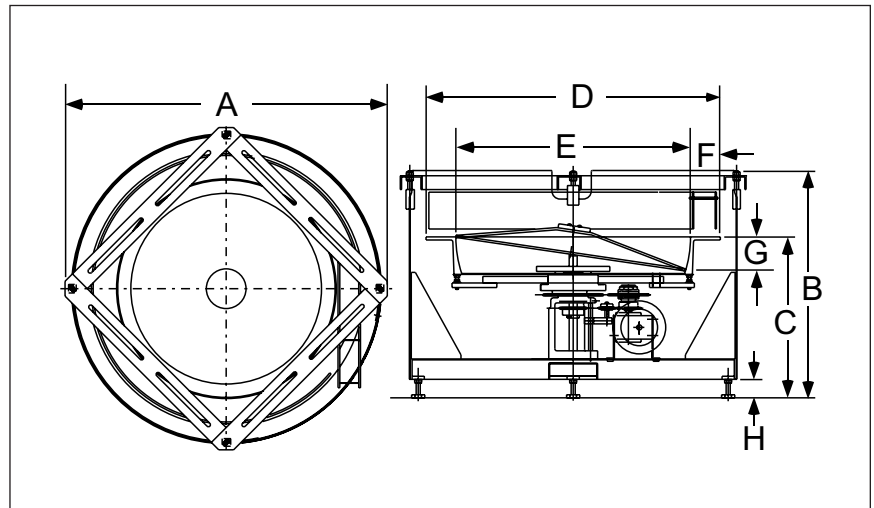
Part Number	FT301RLDSA	FT301RLASA
Motor Style	DC	AC
Motor Voltage	90V	230/460V
Horsepower	1/3hp	1/3hp
Total Equipment Weight	350 lbs.	159 kg

Standard Features:

- All stainless steel exterior construction
- Square tooling frame
- FDA approved ABS vacuum formed disc
- Teflon Hardcoat Anodized aluminium bowl

Available Options:

- Polycarbonate covers
- Dual motor drive system
- Washdown motor(s)
- NEMA 1 encased controller



Required Accessories:

Clockwise: Square Tooling Frame	BUCWFT30SU
Counter-Clockwise: Square Tooling Frame	BUCCF30SU

Product Specifications		ANSI	Metric
A	Outside Diameter	40.21"	1021mm
B	Overall Height	25.13"	638mm
C	Discharge Height	17.51"	445mm
D	Bowl Outside Diameter	36.13"	918mm
E	Bowl Inside Diameter	28.79"	731mm
F	Rim Width	3.67"	93mm
G	Bowl Depth	3.90"	99mm
H	Level Foot Adjustment	3" ± 1.5"	76 ± 38mm

Headquarters
13129 Airpark Drive
Suite 120
Elkwood, VA 22718
540.829.2564 t
800.368.3582 t
540.829.1726 f

Sales
1445 Brookville Way
Suite F
Indianapolis, IN 46239
317.322.0754 t
800.368.3582 t
317.322.0794 f

Manufacturing
291 Dillard Road
Madison Heights, VA
24572
434.929.4746 t
800.543.0915 t
434.929.4959 f

Shibuya Hoppmann Corporation strives to improve its products and reserves the right to change or discontinue specifications & designs shown in this brochure without notice and without incurring obligation. Revised: 05/12.