

FT-15-AC Autoclavable Feeder

www.ShibuyaHoppmann.com

Shibuya Hoppmann™



Product Overview:

The FT-15 autoclavable centrifugal feeder meets the stringent demands of pharmaceutical feeding applications and is ideally suited to efficiently feed and orient small sterile parts. The delivery rate varies from moderate to high speeds depending on part characteristics. The FT-15-AC is engineered to interface with Shibuya Hoppmann prefeeders, accumulating conveyors and assembly equipment.

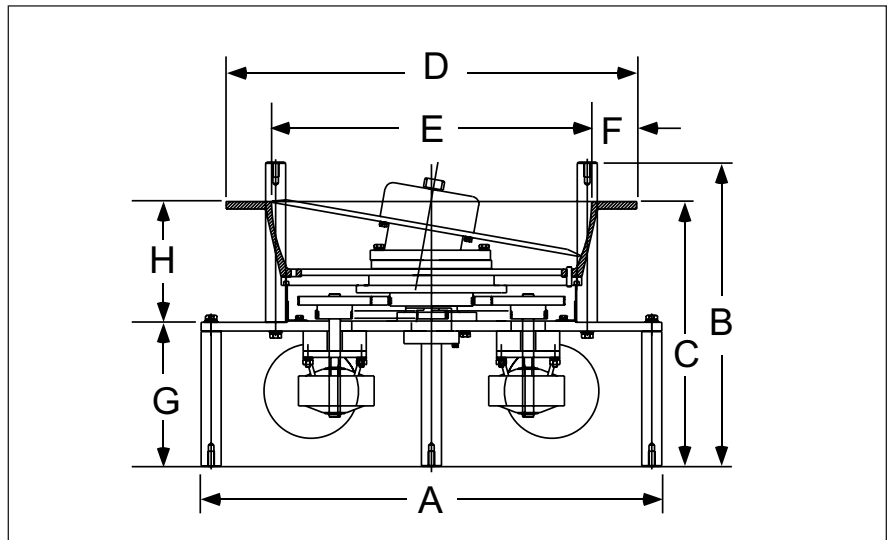
Part Number	FT152RLAAA
Horsepower	1/5hp
Total Equipment Weight	150 lbs. (70 kg)

Standard Features:

- 316L stainless steel bowl and center disc
- Totally enclosed DC variable speed drive
- Quick disassembly of bowl and disc

Available Options:

- AC drive motor(s)
- Customized backup ring
- Dual motor drive system
- Stainless steel exterior construction



Product Specifications		ANSI	Metric
A	Frame Diameter	23"	585mm
B	Overall Height	15.9"	403mm
C	Discharge Height	14" ± 1"	356 ± 25mm
D	Bowl Outer Diameter	20.5"	521mm
E	Bowl Inner Diameter	16"	406mm
F	Rim Width	2.25"	57mm
G	Base Height	7.16"	182mm
H	Bowl Top Plate	6"	153mm