



Product Overview:

The standard FS-20 scallop feeder is designed to feed and orient bottles and other cylindrical parts with the use of urethane scallops. Parts are radially oriented and gently qualified in the scallop pockets by means of sweeps, wipers, pneumatic and/or electric devices depending on specific product characteristics. Oriented parts are discharged and carried away by various downstream in-line devices.

| Part Number | FS201RLDSA | FS201RLASA |
|------------------------|------------|------------|
| Motor Style | DC | AC |
| Motor Voltage | 90V | 230/460V |
| Horsepower | 1/3hp | 1/3hp |
| Total Equipment Weight | 1400 lbs. | 635 kg |

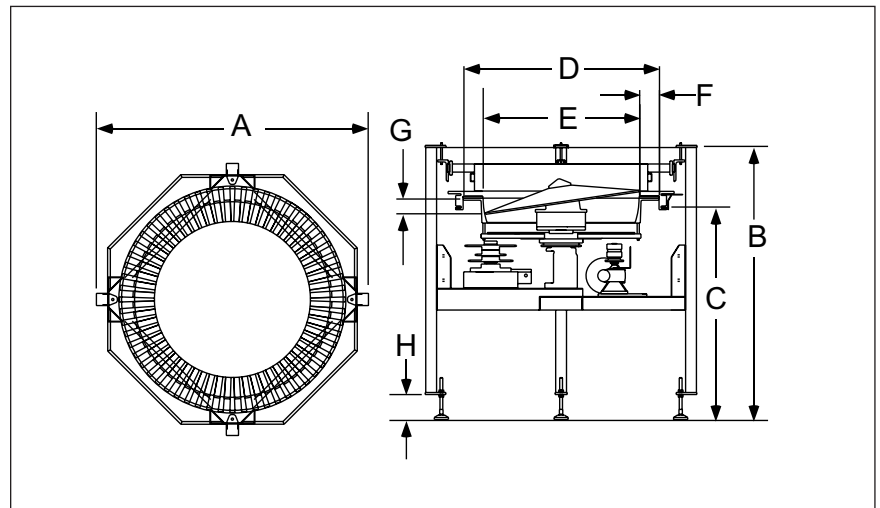
Standard Features:

- All stainless steel exterior construction
- FDA approved ABS vacuum formed disc
- Teflon Hardcoat Anodized aluminium bowl
- Air clutch
- Hinged polycarbonate cover with safety interlocks
- Backup Ring

Available Options:

- Washdown motor(s)
- NEMA 1 encased controller

*Scallops - please contact Shibuya Hoppmann for more information.



| Product Specifications | | ANSI | Metric |
|------------------------|-----------------------|-----------|------------|
| A | Outside Diameter | 40" | 1016mm |
| B | Overall Height | 42" | 1067mm |
| C | Discharge Height | 36" | 914mm |
| D | Bowl Outside Diameter | 25.5" | 648mm |
| E | Bowl Inside Diameter | 20.25" | 514mm |
| F | Rim Width | 2.63" | 67mm |
| G | Bowl Depth | 3.98" | 101mm |
| H | Level Foot Adjustment | 5" ± 2.5" | 127 ± 64mm |

Headquarters
13129 Airpark Drive
Suite 120
Elkwood, VA 22718
540.829.2564 t
800.368.3582 t
540.829.1726 f

Sales
1445 Brookville Way
Suite F
Indianapolis, IN 46239
317.322.0754 t
800.368.3582 t
317.322.0794 f

Manufacturing
291 Dillard Road
Madison Heights, VA
24572
434.929.4746 t
800.543.0915 t
434.929.4959 f

Shibuya Hoppmann Corporation strives to improve its products and reserves the right to change or discontinue specifications & designs shown in this brochure without notice and without incurring obligation. Revised: 05/12.