



Product Overview:

Shibuya Hoppmann's standard FS-50 scallop feeder is designed to feed and orient bottles and other cylindrical parts with the use of urethane scallops. Parts are radially oriented and gently qualified in the scallop pockets by means of sweeps, wipers, pneumatic and/or electric devices depending on specific product characteristics. Oriented parts are discharged and carried away by various downstream in-line devices.

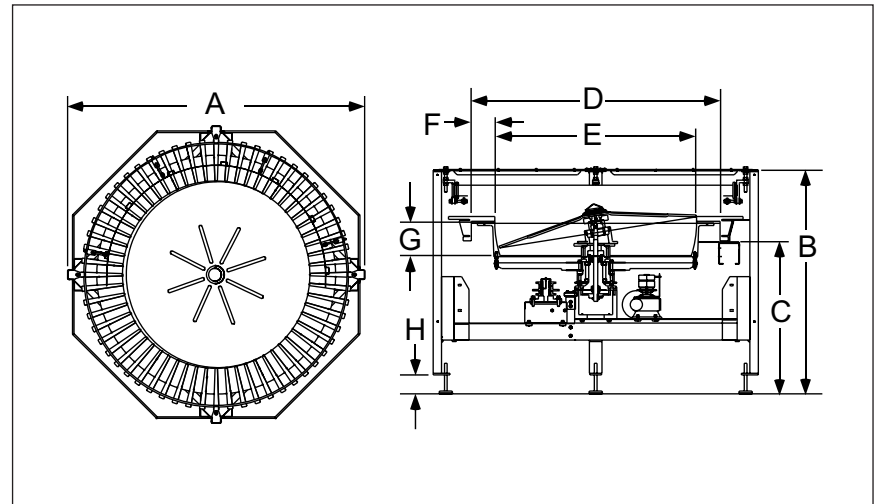
Part Number	FS501RLDSA	FS501RLASA
Motor Style	DC	AC
Motor Voltage	90V	230/460V
Horsepower	3/4hp	3/4hp

Standard Features:

- All stainless steel exterior construction
- FDA approved ABS vacuum formed disc
- Teflon Hardcoat Anodized aluminium bowl pre-drilled for scallop mounting
- Air clutch
- Hinged polycarbonate cover with safety interlocks
- Backup Ring

Available Options:

- Washdown motor(s)
- Urethane scallop kit
- NEMA 1 encased controller



Accessories:

FS Series Scallop Kit	FS50SCALXX
(includes segment plates and one of the following number of scallops: 36, 48, 54, 60 or 72)	

Product Specifications		ANSI	Metric
A	Outside Diameter	78.51"	1994mm
B	Overall Height	48.50"	1232mm
C	Discharge Height	36"	914mm
D	Bowl Outside Diameter	56"	1422mm
E	Bowl Inside Diameter	47.75"	1213mm
F	Rim Width	4.13"	105mm
G	Bowl Depth	7.05"	179mm
H	Level Foot Adjustment	5" ± 2.5"	127 ± 64mm

Headquarters
13129 Airpark Drive
Suite 120
Elkwood, VA 22718
540.829.2564 t
800.368.3582 t
540.829.1726 f

Sales
1445 Brookville Way
Suite F
Indianapolis, IN 46239
317.322.0754 t
800.368.3582 t
317.322.0794 f

Manufacturing
291 Dillard Road
Madison Heights, VA
24572
434.929.4746 t
800.543.0915 t
434.929.4959 f

Shibuya Hoppmann Corporation strives to improve its products and reserves the right to change or discontinue specifications & designs shown in this brochure without notice and without incurring obligation. Revised: 05/12.